

# SERIE M2 H

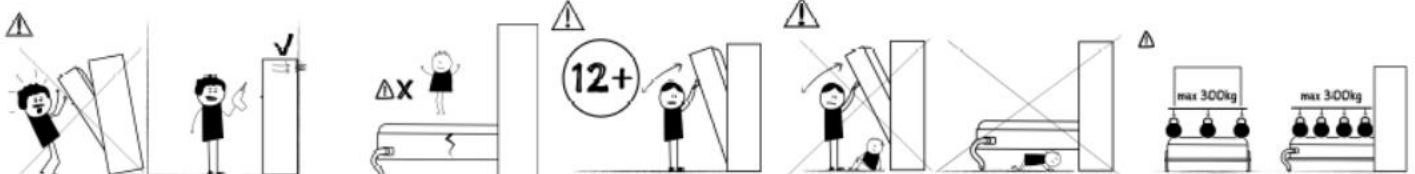
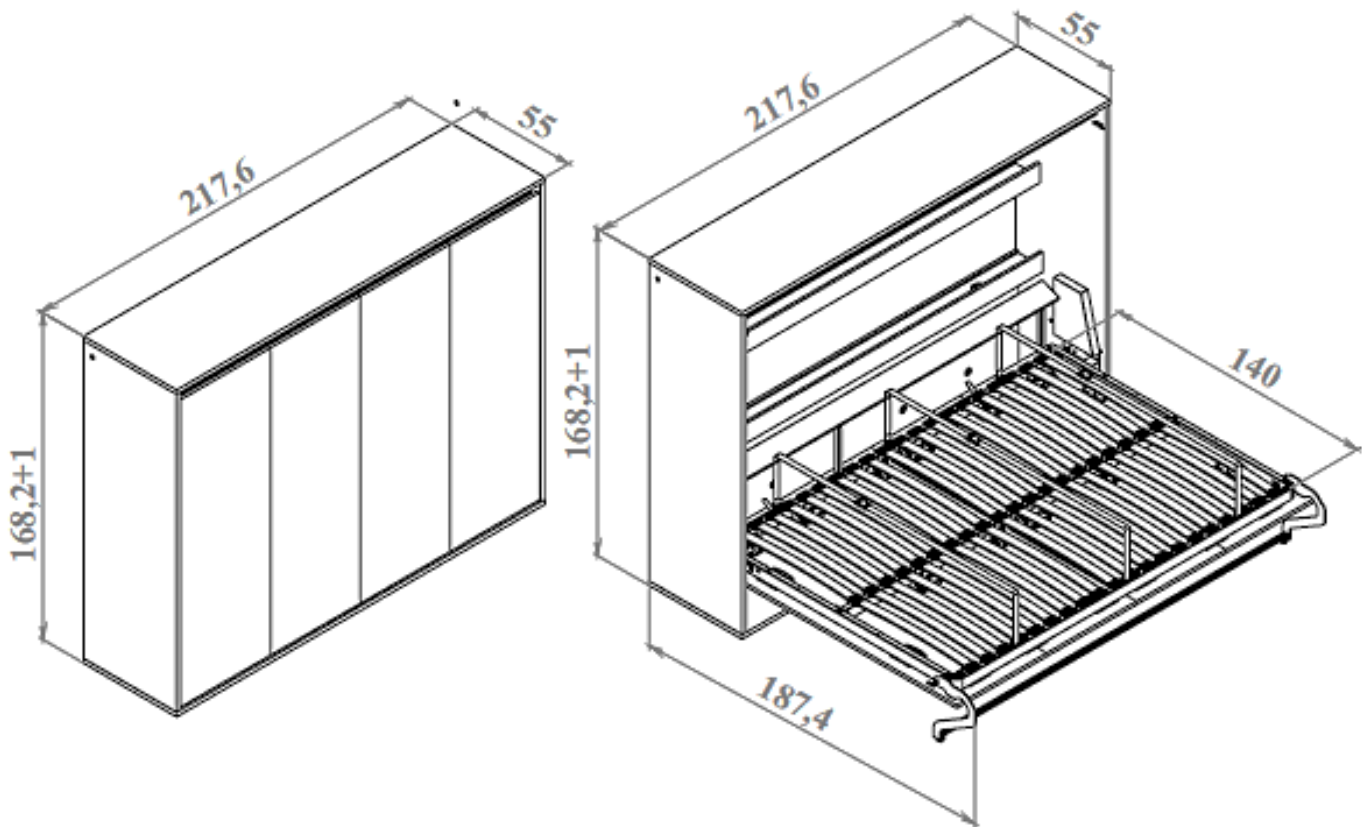
140 H



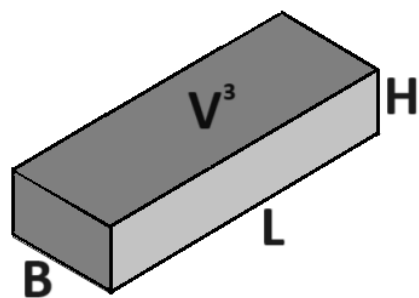
240 min



220 min



# Paket 1/H



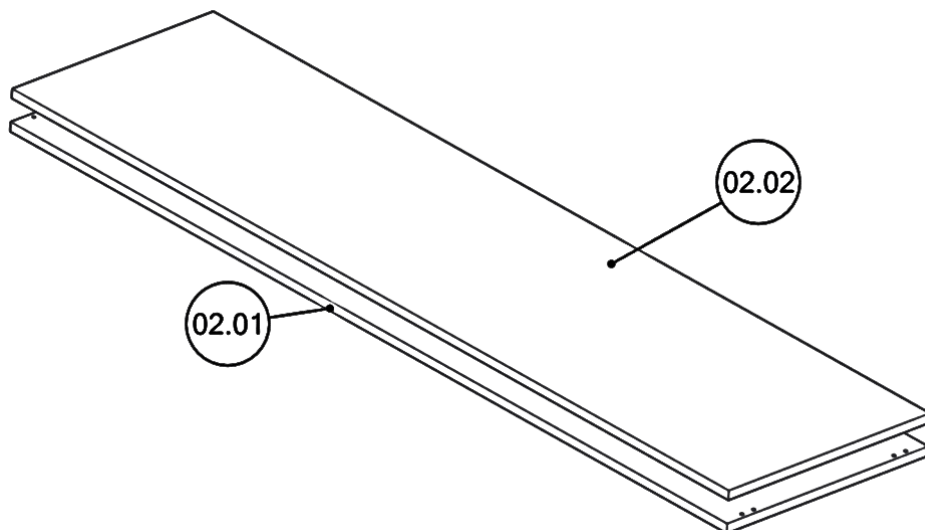
H = 4,5 cm

B = 56 cm

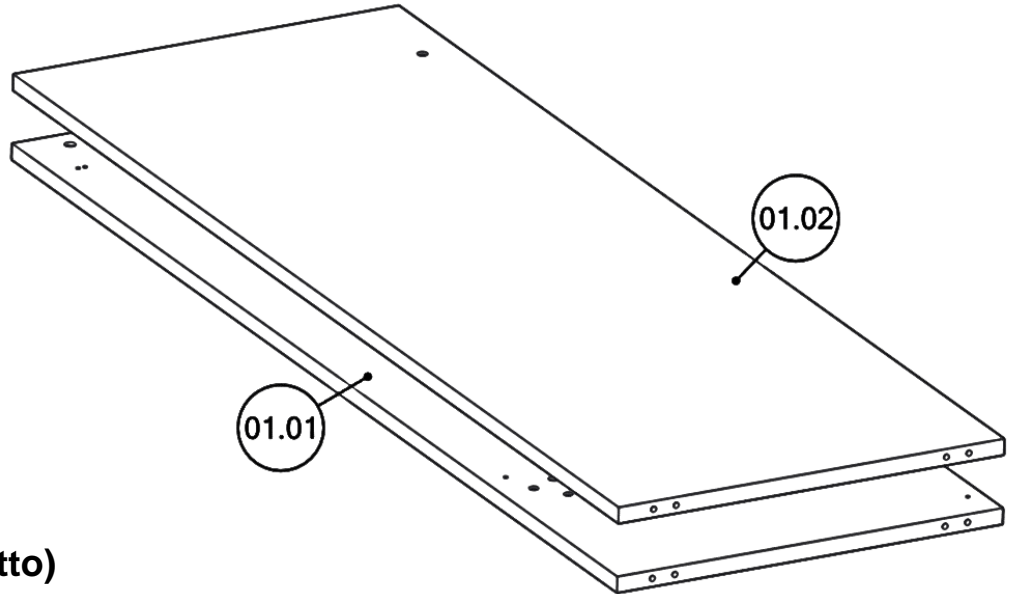
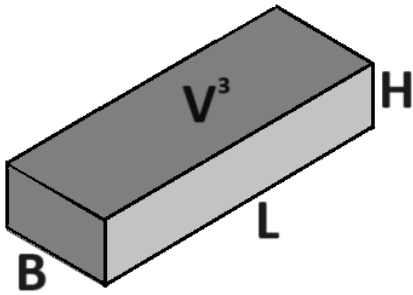
L = 221,5 cm

$V^3 = 0,06 \text{ m}^3$

G = 36,5 kg (brutto)



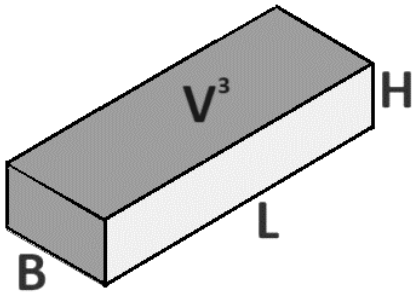
# Paket 2/H



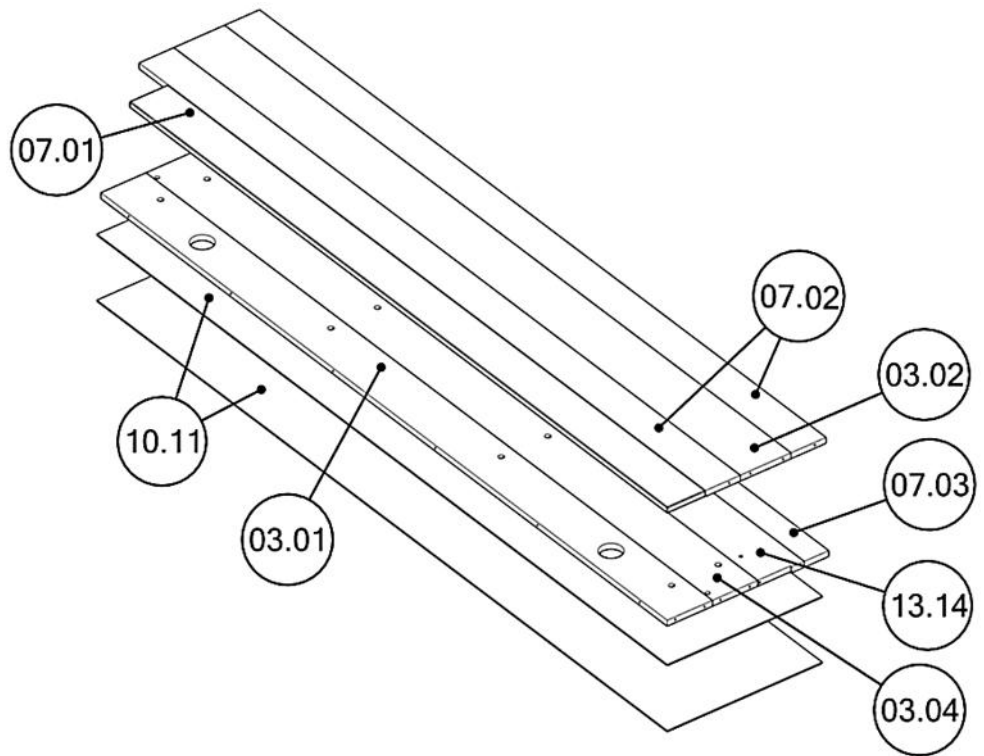
**H = 5,0 cm**  
**B = 56,5 cm**  
**L = 180,5 cm**  
**V<sup>3</sup> = 0,05 m<sup>3</sup>**  
**G = 31,3 kg (brutto)**

<b>K2</b> 8x30 8	<b>KL3</b> 3mm 1	<b>KL4</b> 4mm 1	<b>KZ5</b> 5mm 1	<b>KP</b> 10 / 13mm 1	
<b>S77</b> M8x45 8	<b>S40</b> M6x40 4	<b>TB3</b> 2	<b>P11</b> 2	<b>RZ</b> 16	<b>WE61</b> 8
<b>M8</b> 10	<b>P8</b> 12	<b>S61</b> M6x16 78	<b>PR</b> 8	<b>PZG.M8</b> 10	<b>KD60</b> 2
<b>M6</b> 6	<b>P6</b> 6	<b>NS8</b> 2	<b>S10</b> M6x35 2	<b>S1</b> M6x16 18	<b>W35</b> 5
<b>PAS</b> 3	<b>PM40</b> 4	<b>W18</b> 3x16 50	<b>W42</b> 4x14 96	<b>PO7</b> 2	<b>OKM</b> 7
<b>ZB9</b> 1	<b>ZB13</b> 2	<b>H20</b> 12	<b>H14</b> 18	<b>KN2</b> 7x50 22	<b>M050</b> 2
<b>TX7.5</b> 28	<b>TM1</b> 24	<b>M12</b> 24	<b>TU5,5</b> 8	<b>TK</b> 8	<b>2U67</b> 2

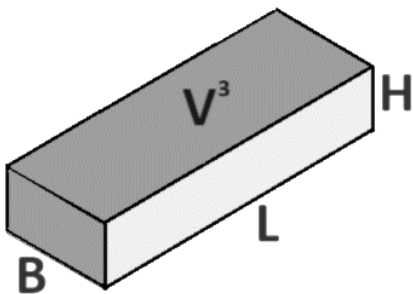
## Paket 3/H



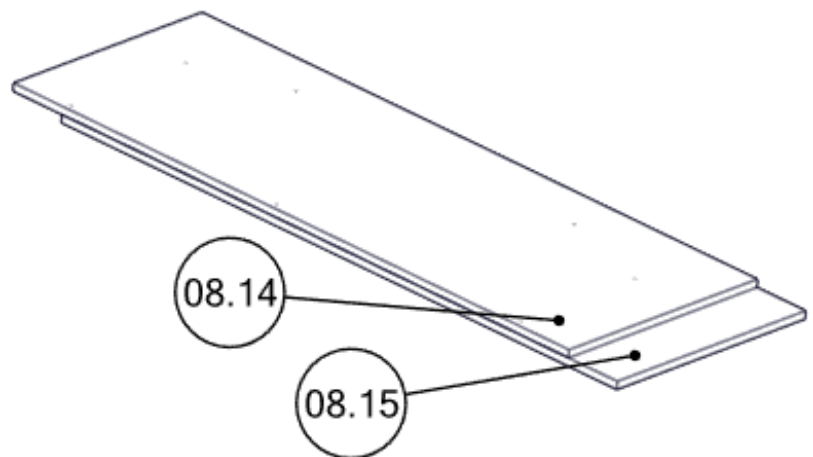
**H = 5,0 cm**  
**B = 48,0 cm**  
**L = 217,5 cm**  
**V³ = 0,05 m³**  
**G = 26,1 kg (brutto)**



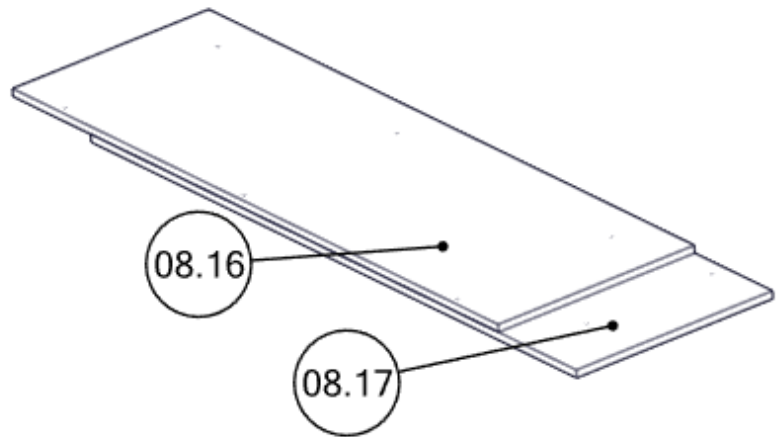
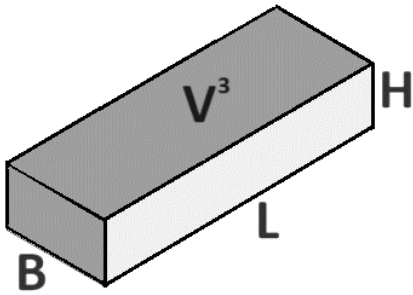
## Paket 4/H



**H = 3,5 cm**  
**B = 54 cm**  
**L = 161 cm**  
**V³ = 0,03 m³**  
**G = 21/23 kg (brutto)**

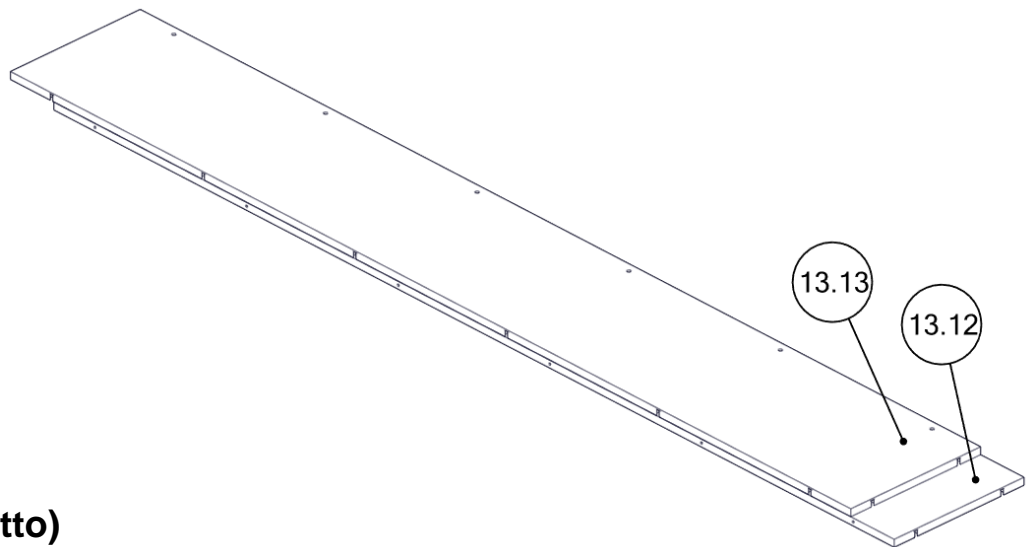
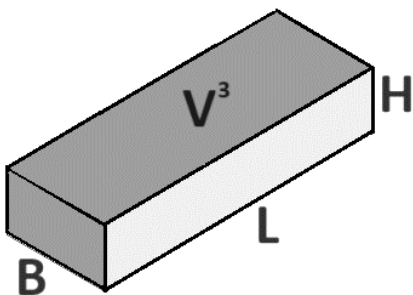


## Paket 5/H



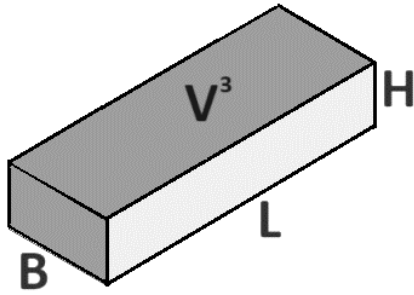
H = 3,5 cm  
B = 54 cm  
L = 161 cm  
V<sup>3</sup> = 0,03 m<sup>3</sup>  
G = 21/23 kg (brutto)

## Paket 6/H

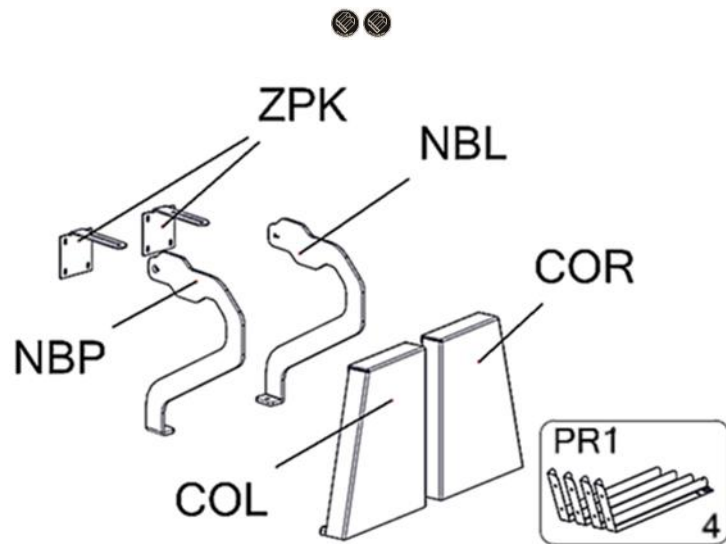


H = 4,0 cm  
B = 33,5 cm  
L = 217,5 cm  
V<sup>3</sup> = 0,03 m<sup>3</sup>  
G = 21 kg (brutto)

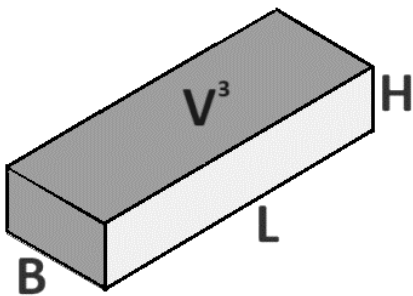
## Paket Füße + Abdeckung 1/1



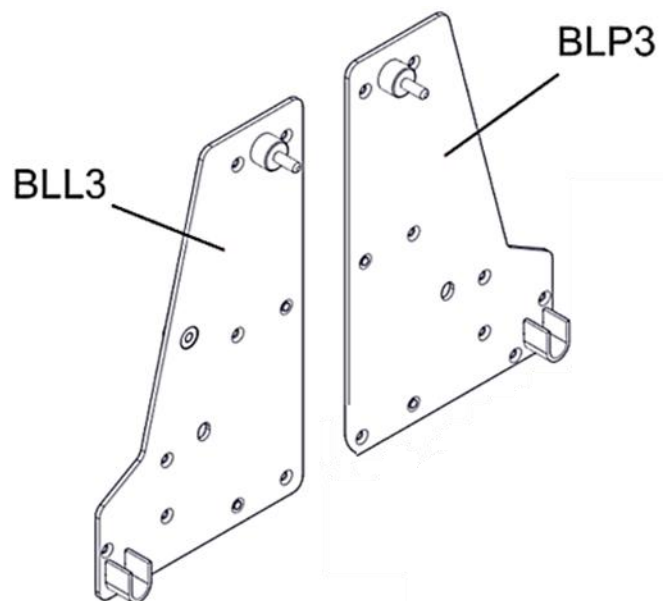
**H = 6,0 cm**  
**B = 25 cm**  
**L = 60 cm**  
**V³ = 0,009 m³**  
**G = 4,5 kg (brutto)**



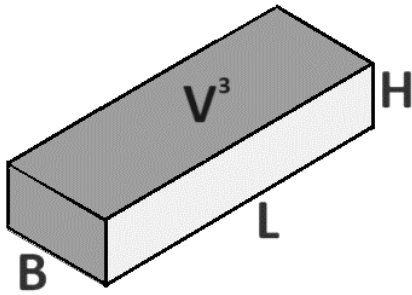
## Paket Mechanismus 1/1



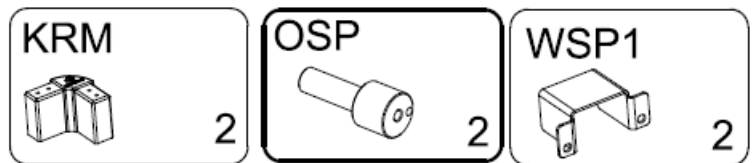
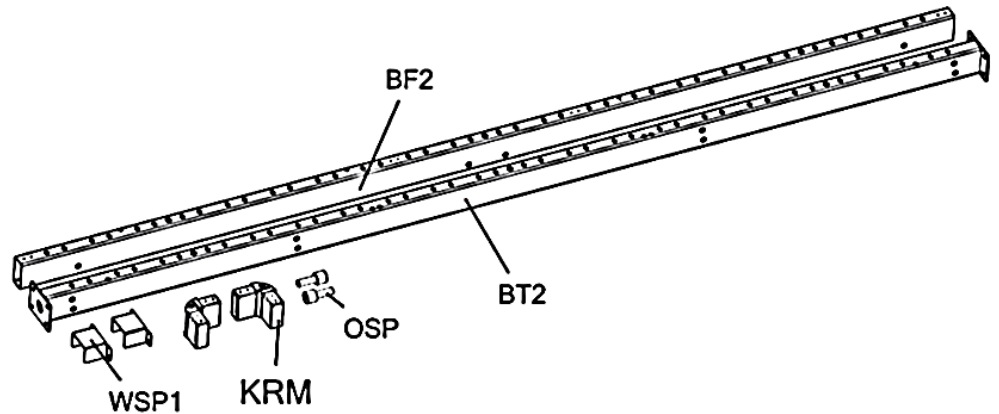
**H = 6,0 cm**  
**B = 24 cm**  
**L = 42 cm**  
**V³ = 0,006 m³**  
**G = 3,82 kg (brutto)**



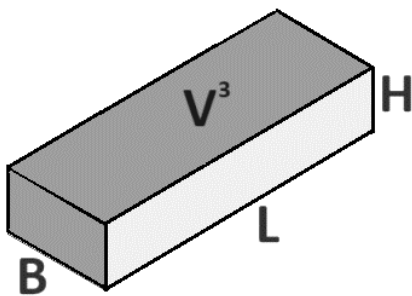
# Paket Lattenrost serie M2 1/2



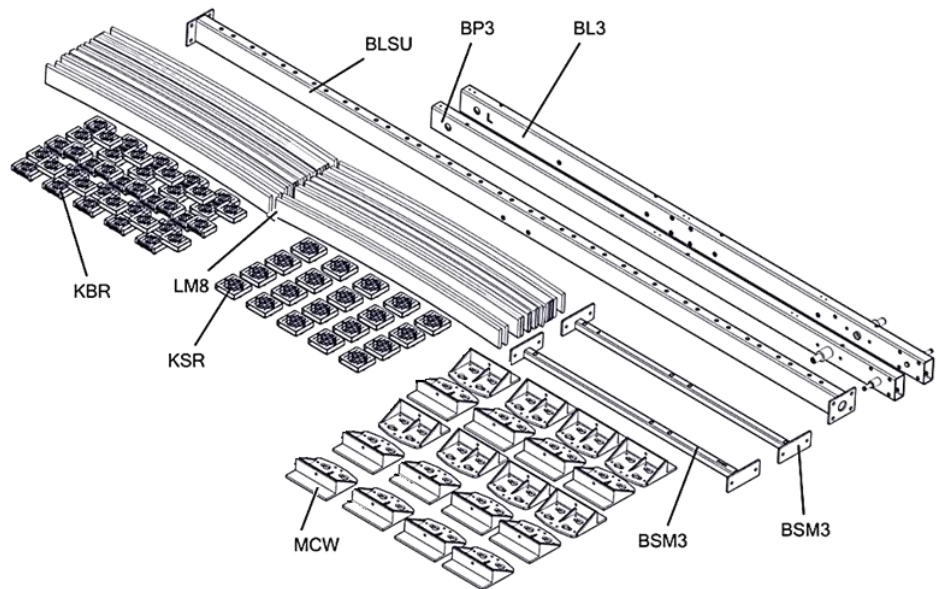
**H = 6,5 cm**  
**B = 12,5 cm**  
**L = 196 cm**  
**V<sup>3</sup> = 0,015 m<sup>3</sup>**  
**G = 11,5 kg (brutto)**



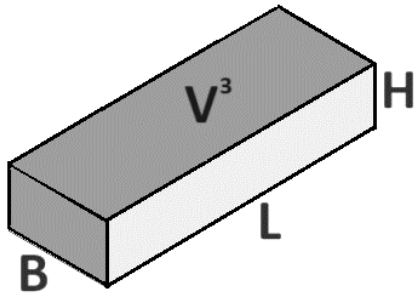
# Paket Lattenrost serie M2 2/2



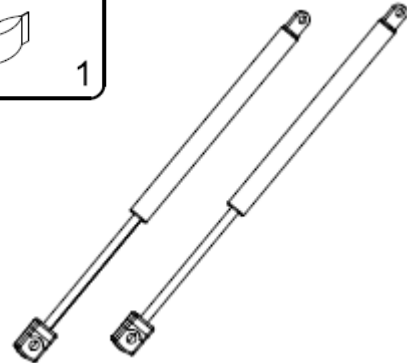
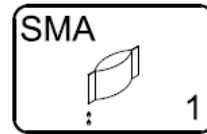
**H = 6,5 cm**  
**B = 12,5 cm**  
**L = 196 cm**  
**V<sup>3</sup> = 0,015 m<sup>3</sup>**  
**G = 22,1 kg (brutto)**



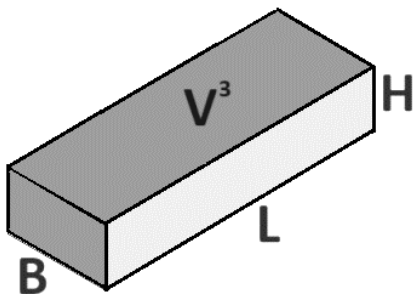
# Paket Gasdruckfedern serie M1 AM1 500N-1700N



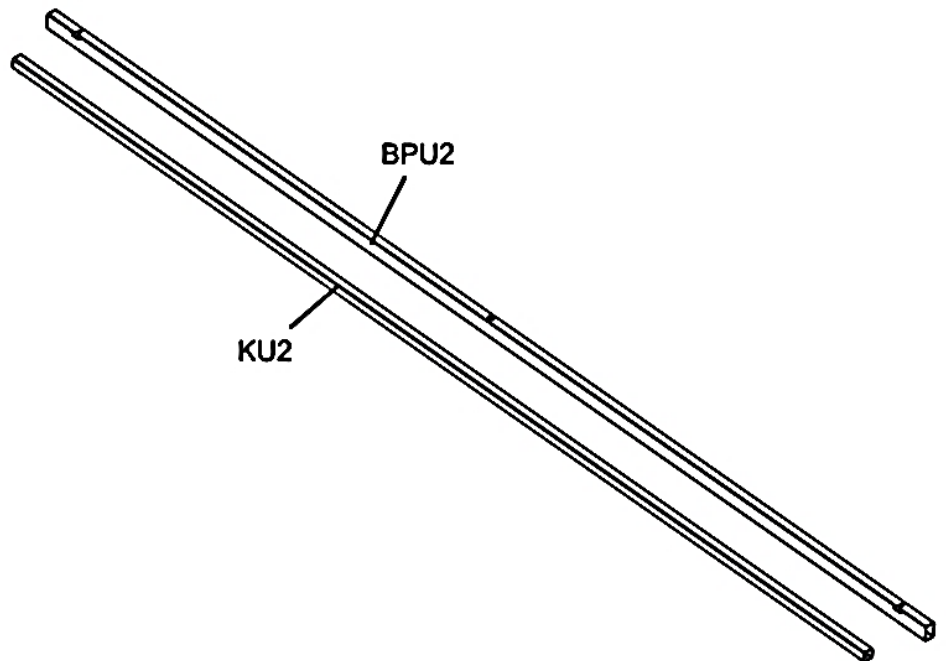
H = 6,0 cm  
B = 11,5 cm  
L = 65 cm  
V<sup>3</sup> = 0,04 m<sup>3</sup>  
G = 1,0 kg (brutto)



# Paket Griff serie M2

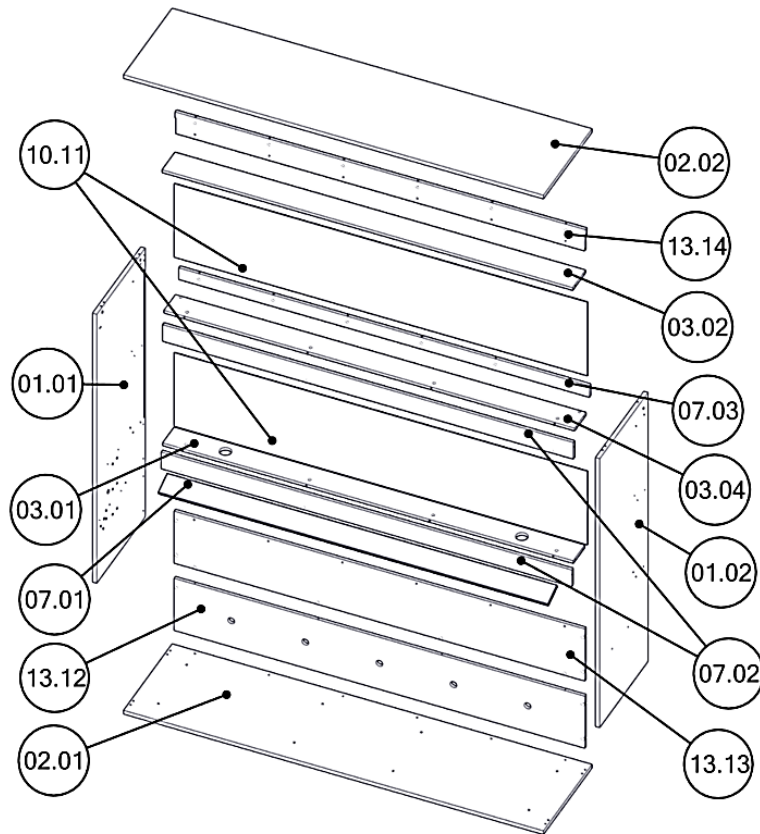


H = 5,0 cm  
B = 4,5 cm  
L = 212,5 cm  
V<sup>3</sup> = 0,04 m<sup>3</sup>  
G = 4,35 kg (brutto)



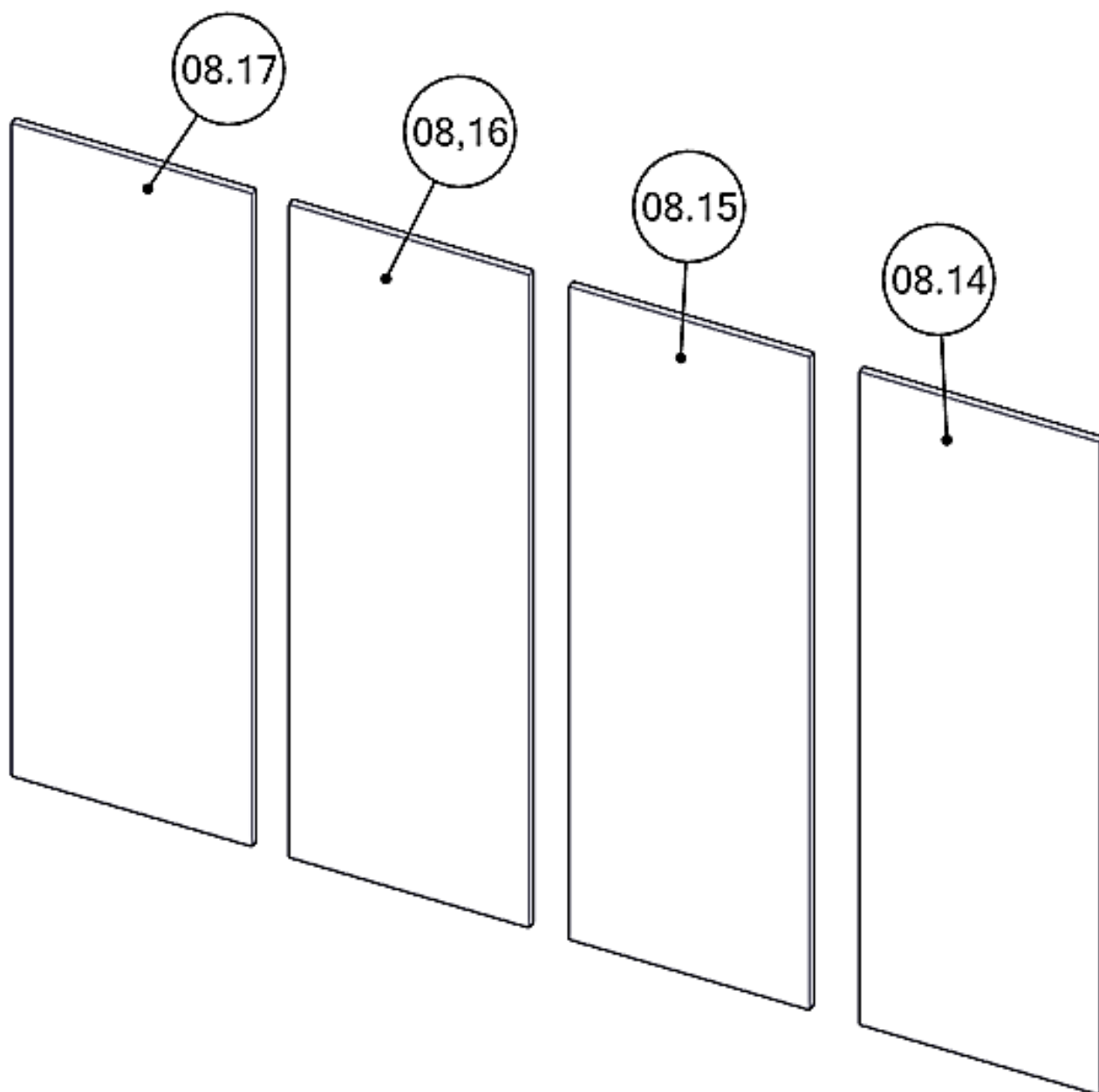


# Korpus



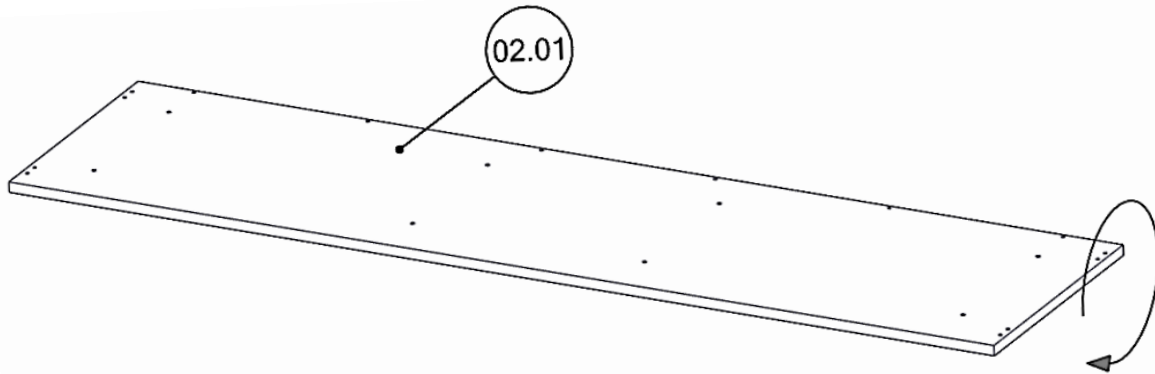
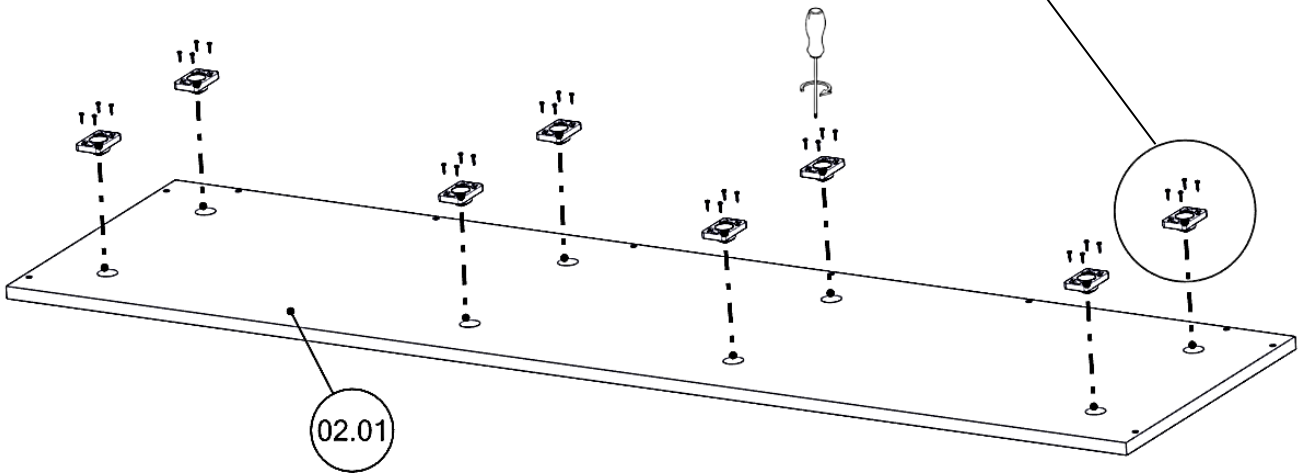
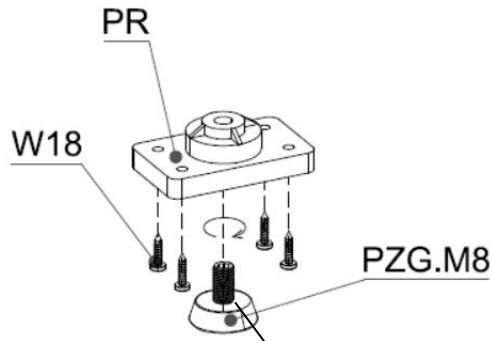
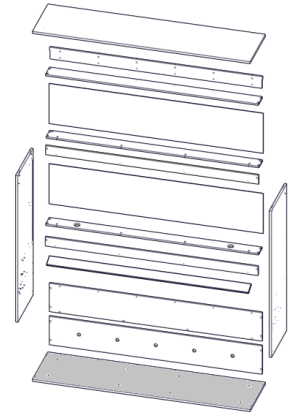
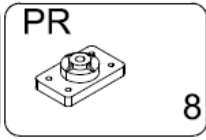
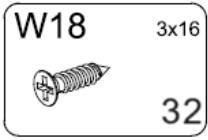
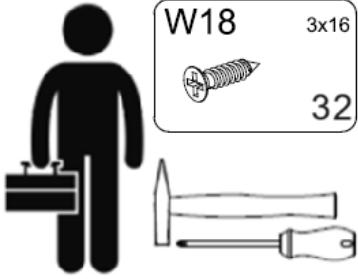
01.01	0261.01.01	1	2H
01.02	0261.01.02	1	2H
02.01	0261.02.01	1	1H
02.02	0261.02.02	1	1H
03.01	0261.03.01	1	3H
03.02	0261.03.02	1	3H
03.04	0261.03.03	1	3H
13.12	0261.13.12	1	6H
13.13	0261.13.13	1	6H
13.14	0261.13.14	1	3H
07.02	0261.07.02	2	3H
07.03	0261.07.03	1	3H
10.11	0261.10.11	2	3H
07.01	0261.07.01	1	3H
PART/TEIL	CODE/CODE	QUANTYY/ANZAHL	PAKET/PAKET

# Front

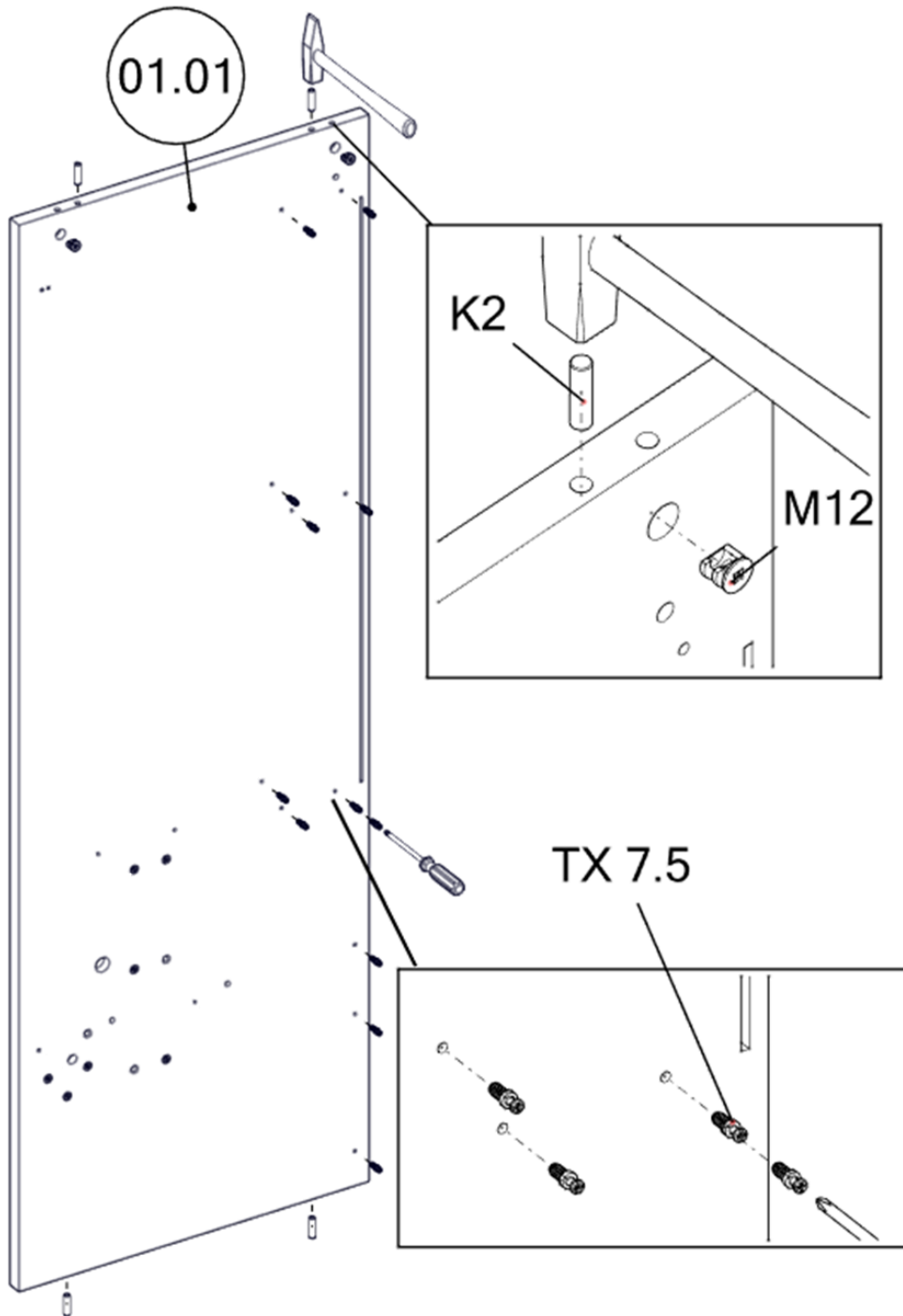
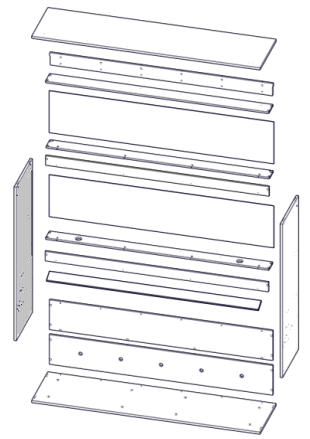
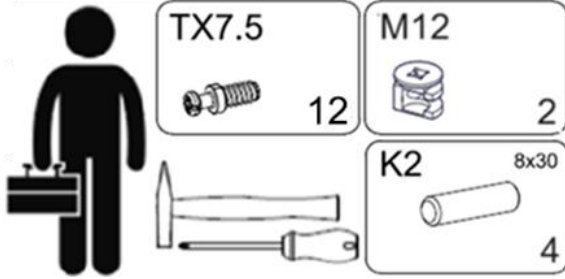


08.14	0261.08.14	1	4/H
08.15	0261.08.15	1	4/H
08.16	0261.08.16	1	5/H
08.17	0261.08.17	1	5/H
PART/TEIL	CODE/CODE	QUANTYY/ANZAHL	PAKET/PAKET

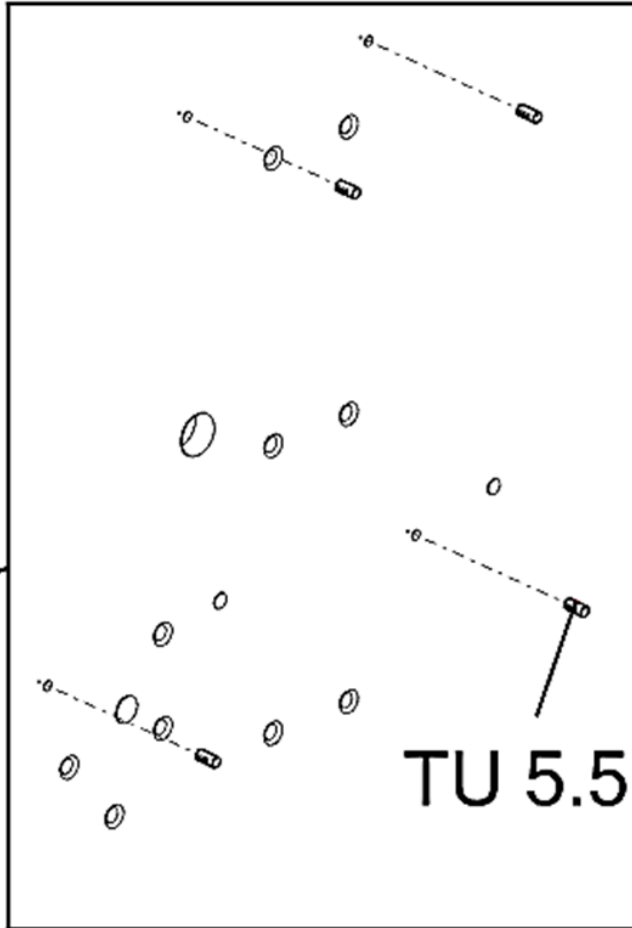
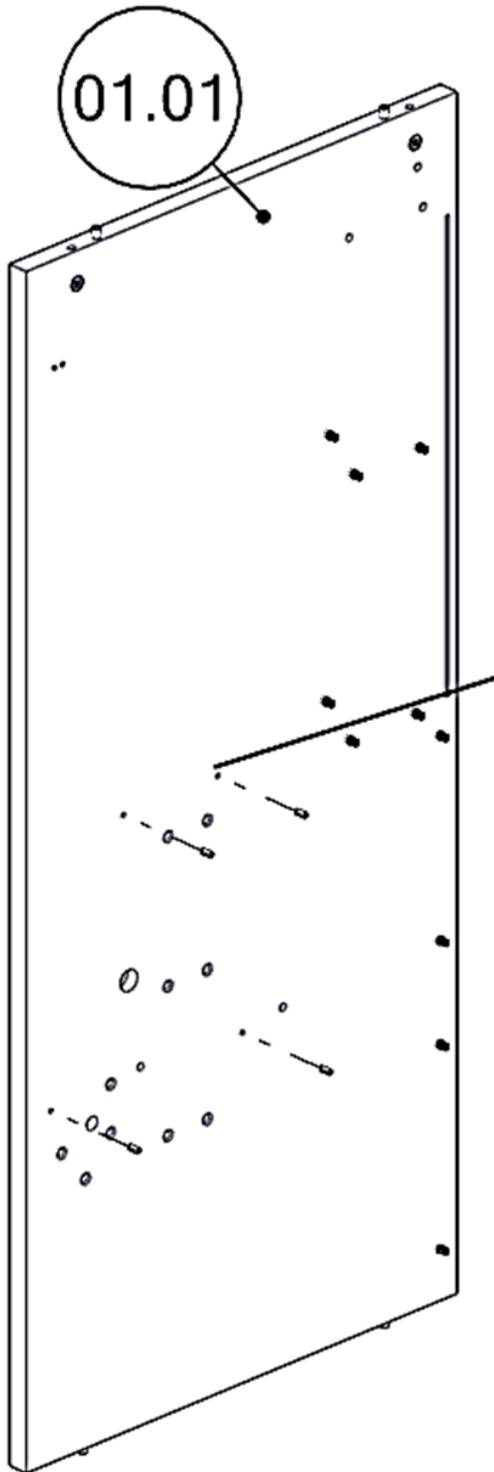
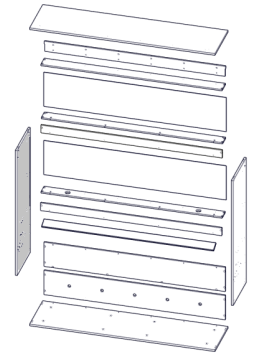
1



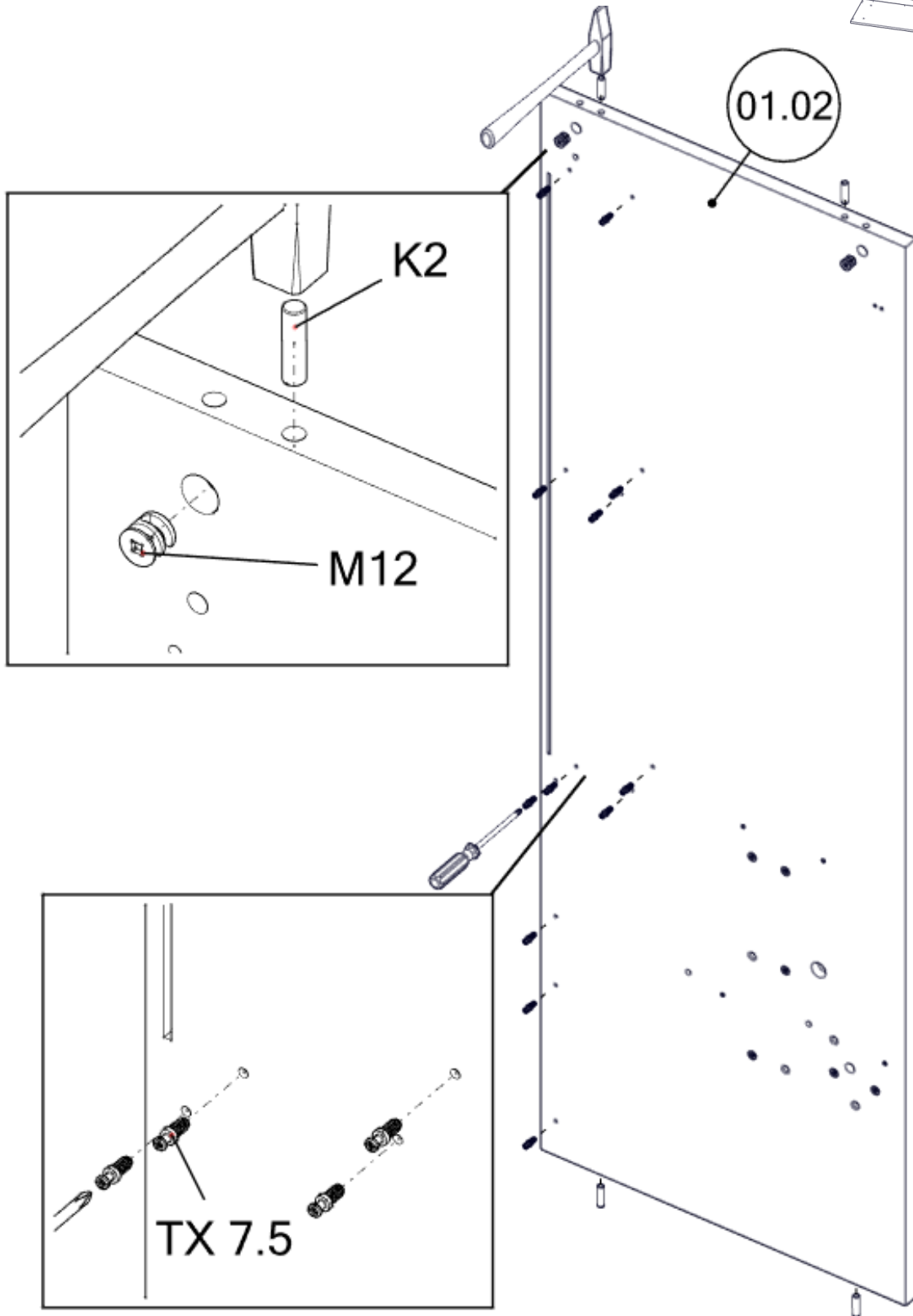
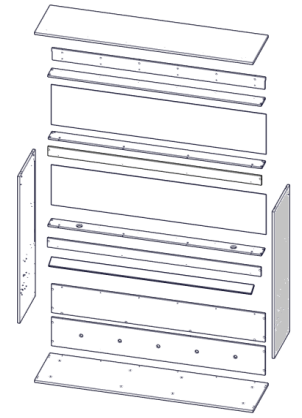
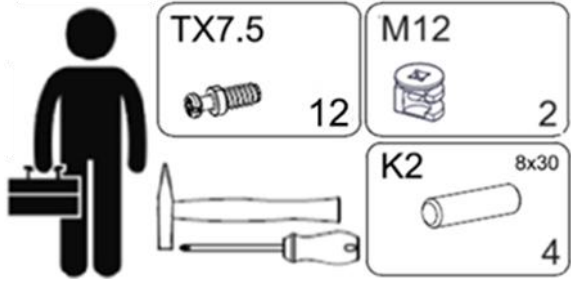
# 2



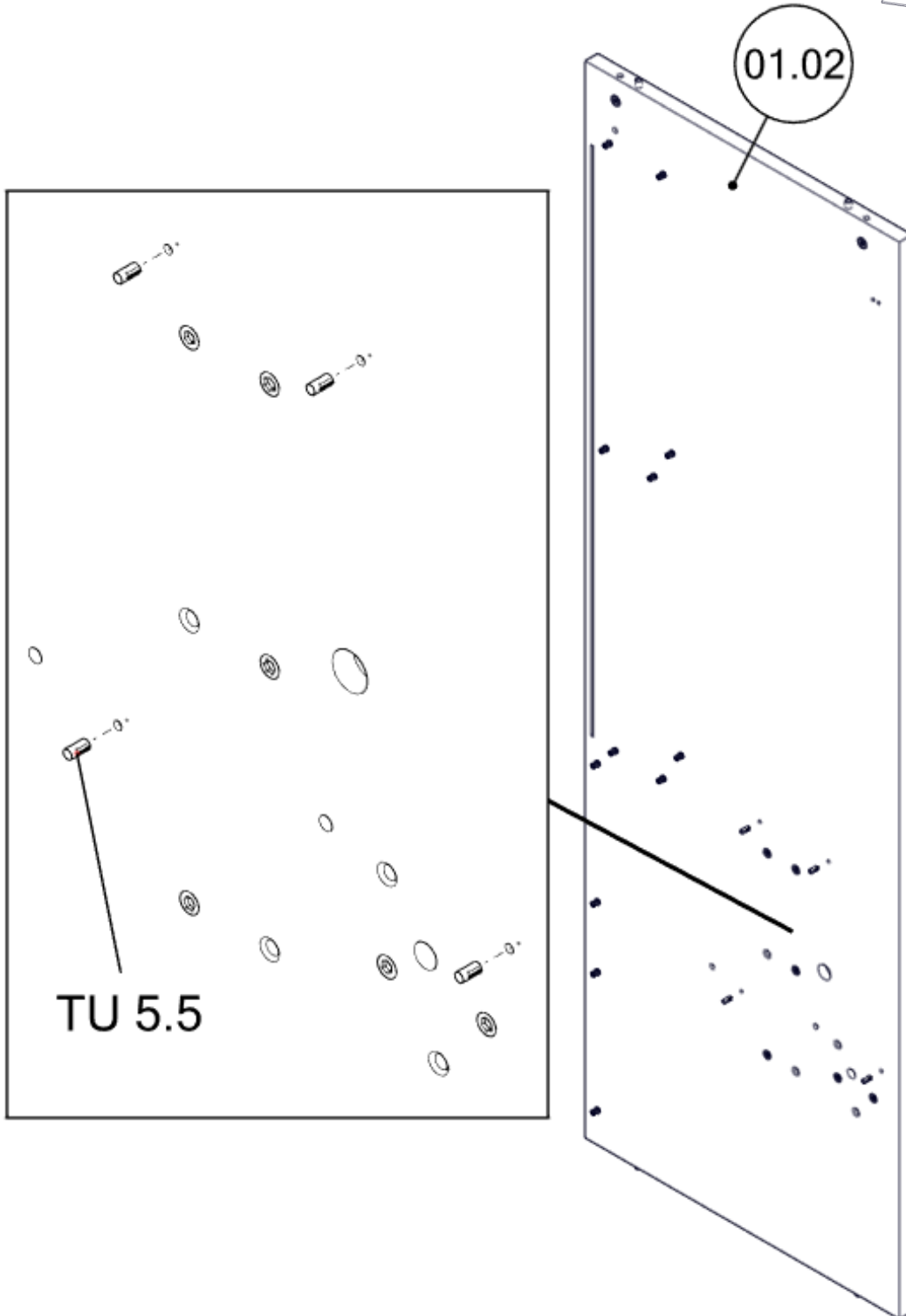
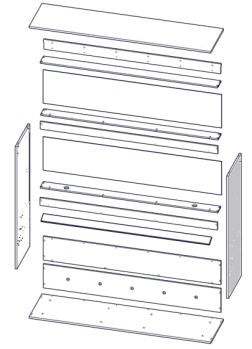
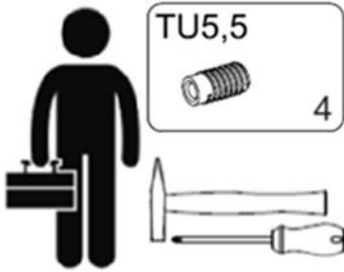
# 3



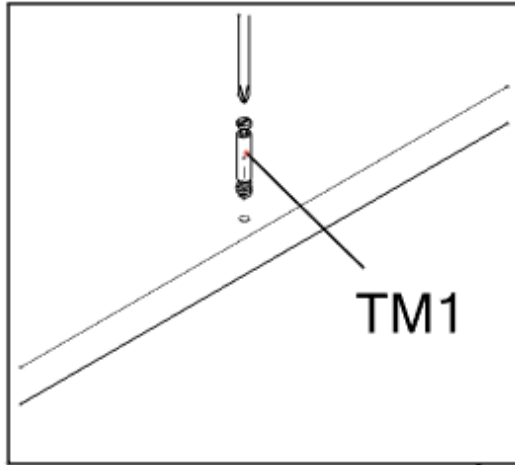
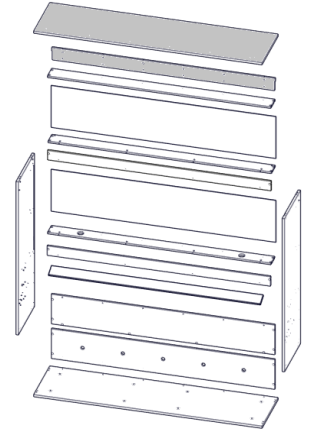
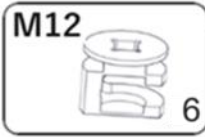
# 4



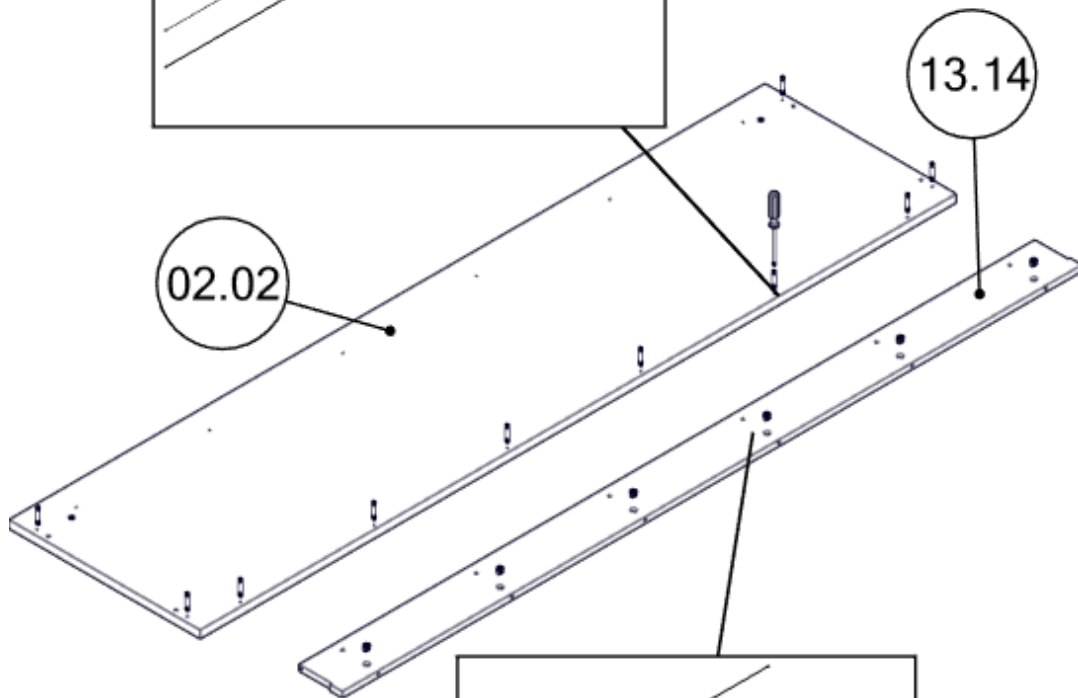
# 5



6

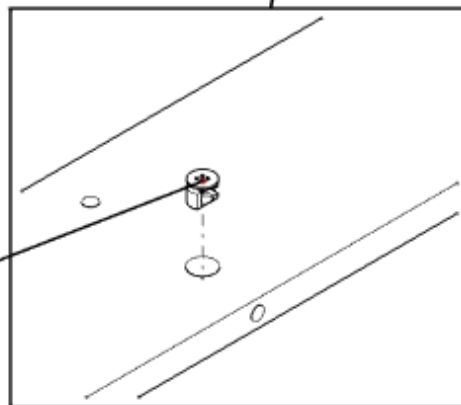


TM1



02.02

13.14







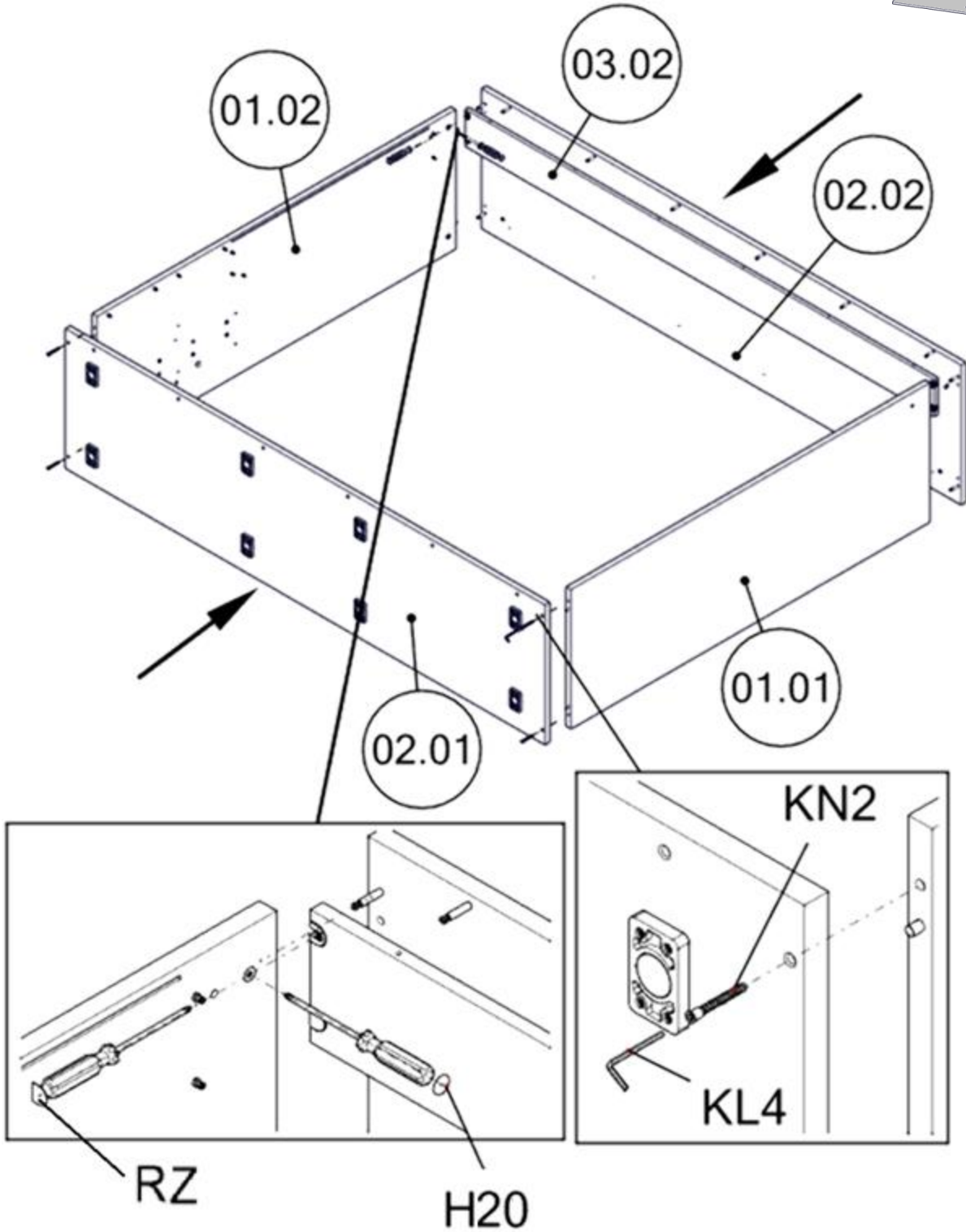
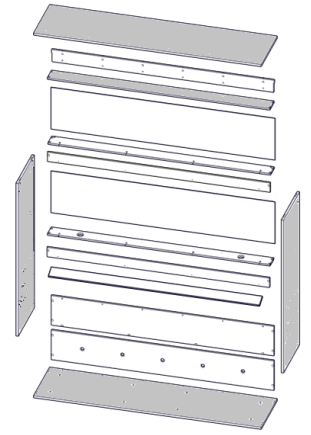
M12



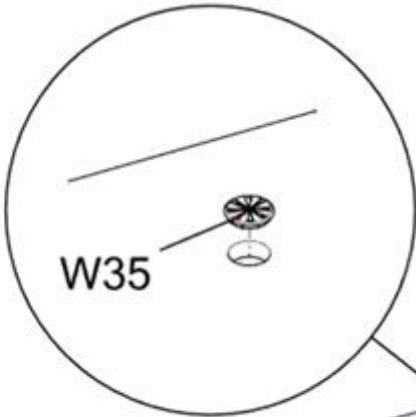
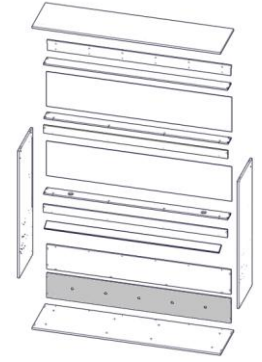
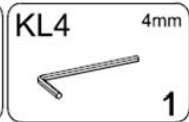
7



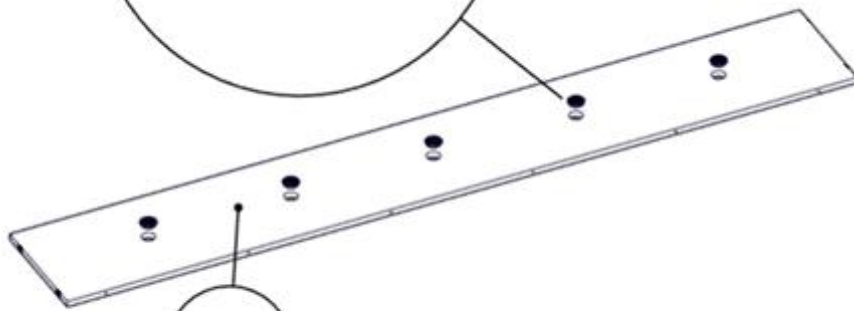
KN2  4	KL4  1
H20  4	RZ  4



# 8

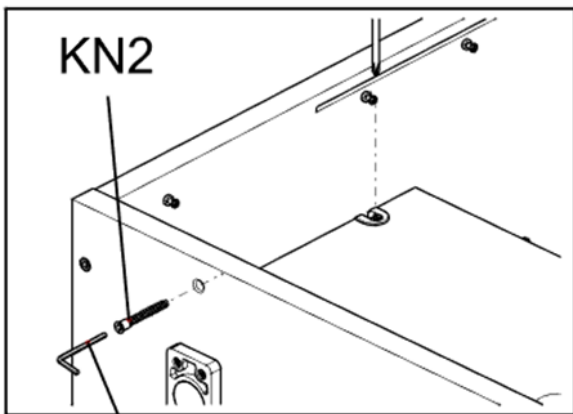
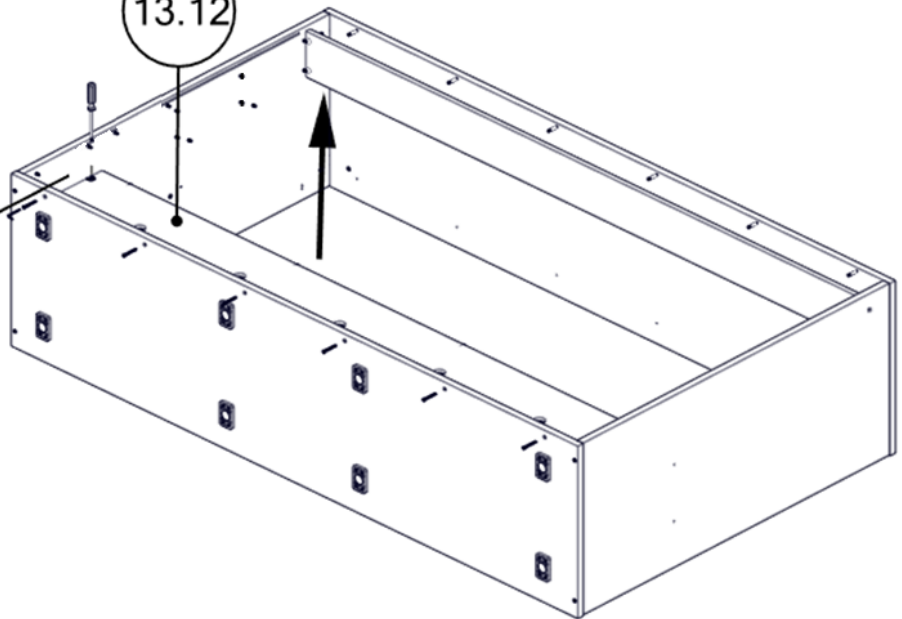


W35



13.12

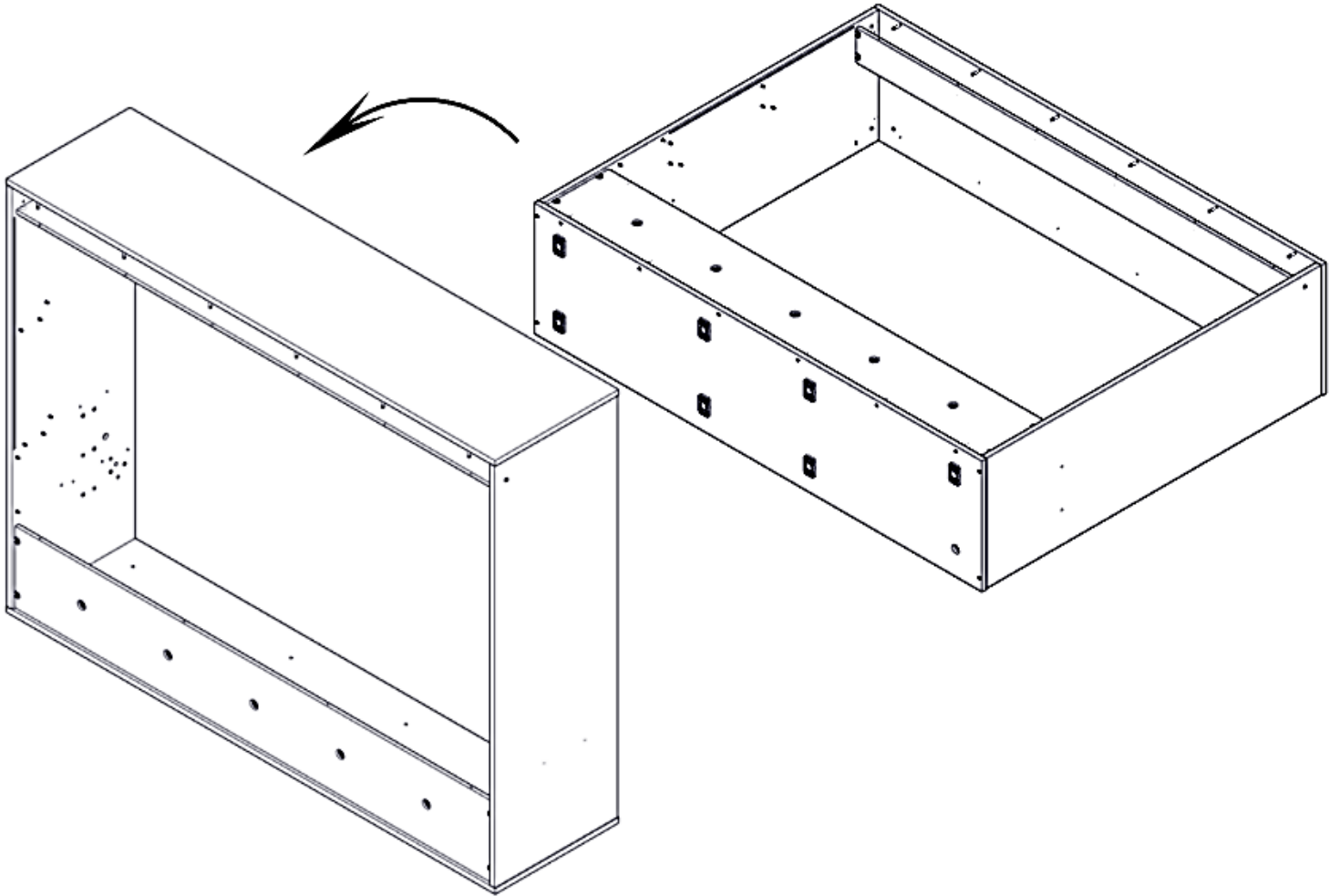
13.12



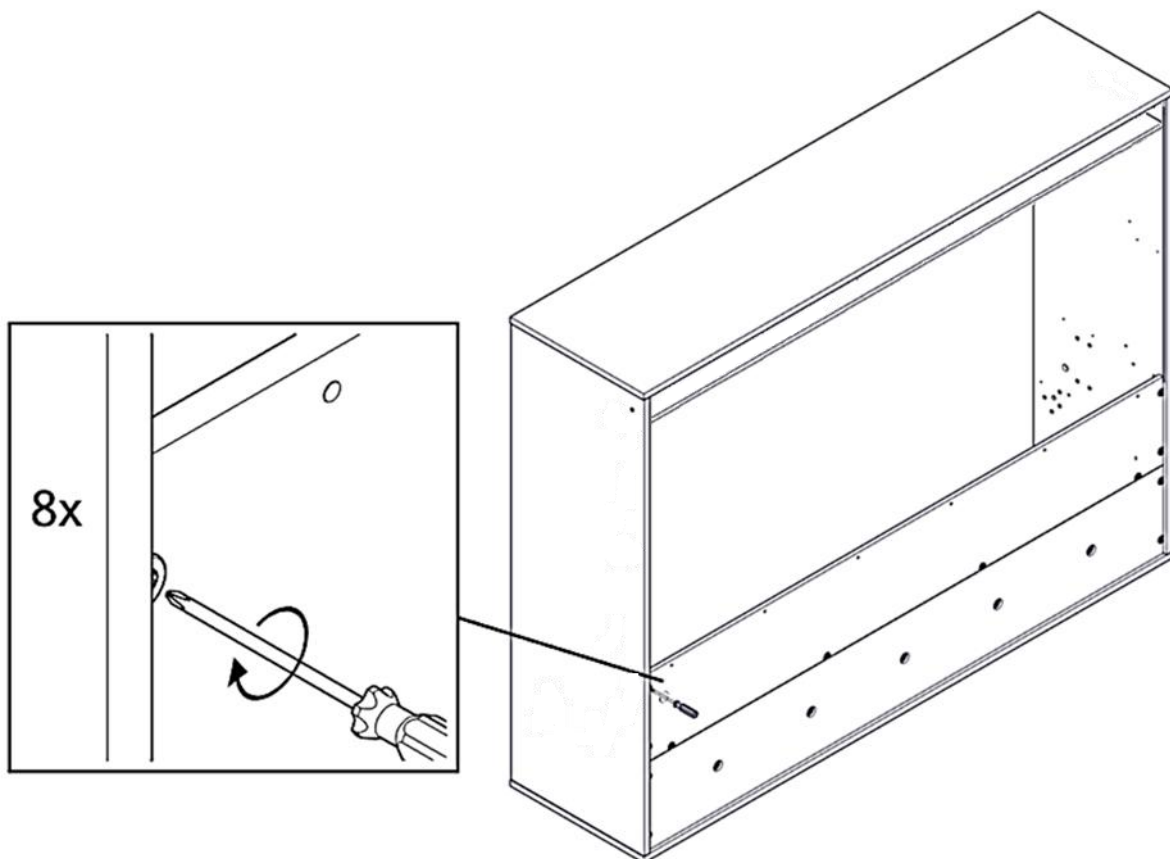
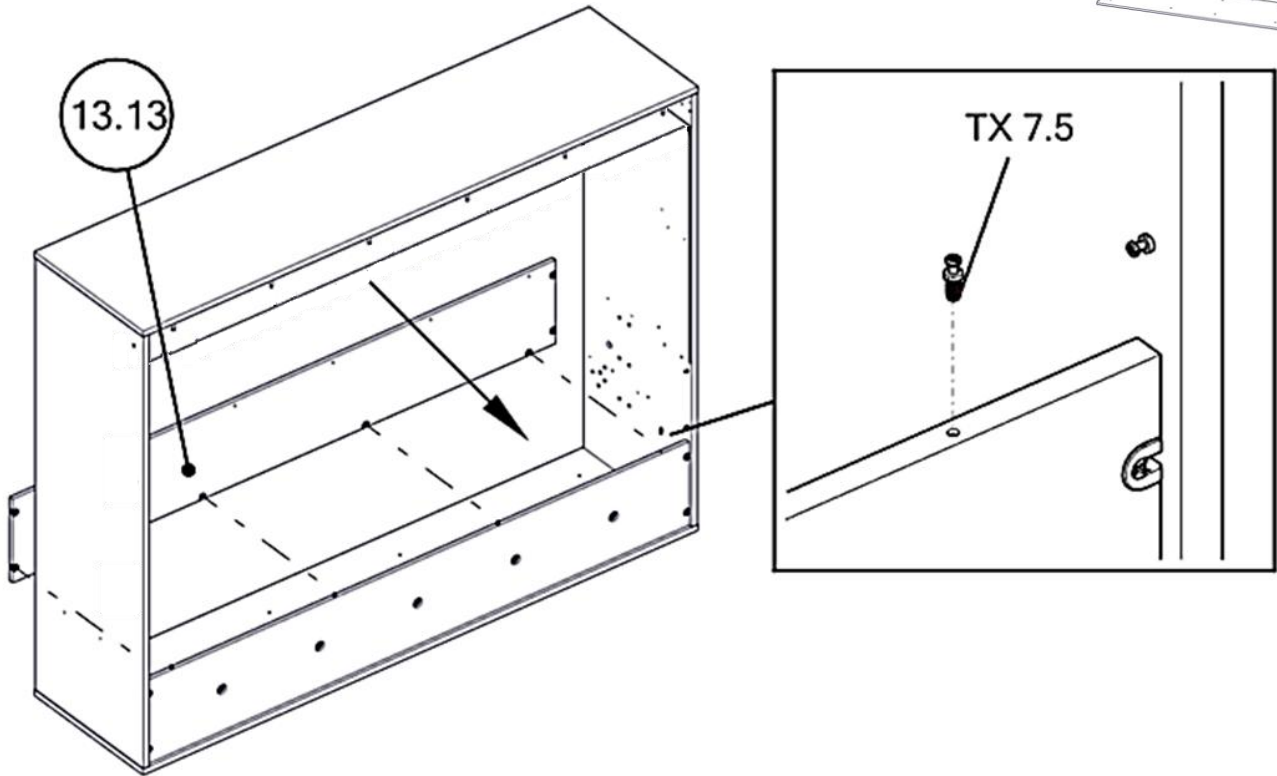
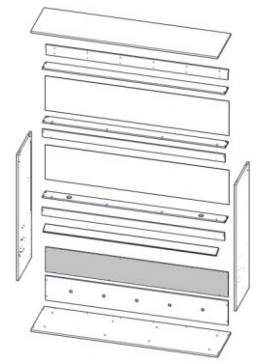
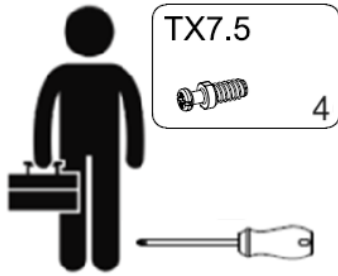
KN2

KL4

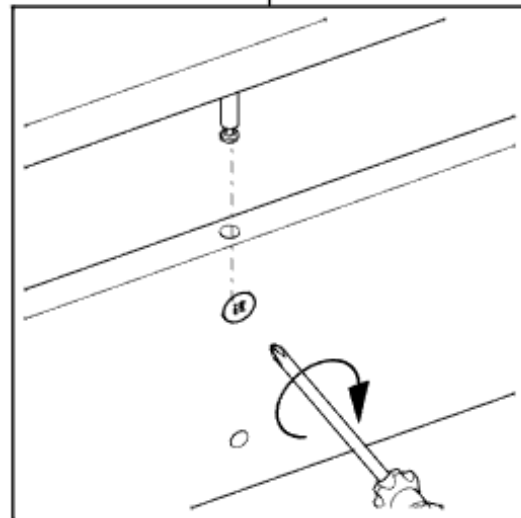
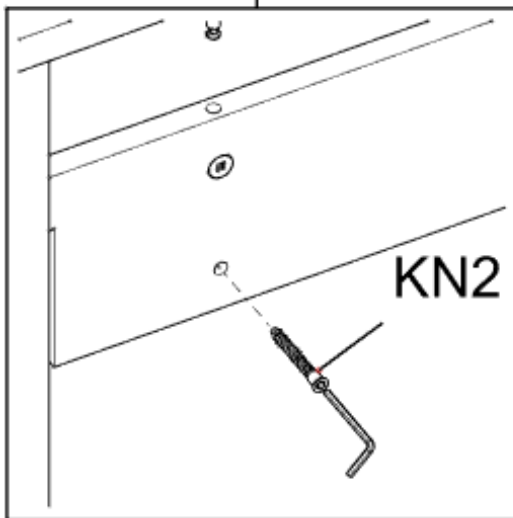
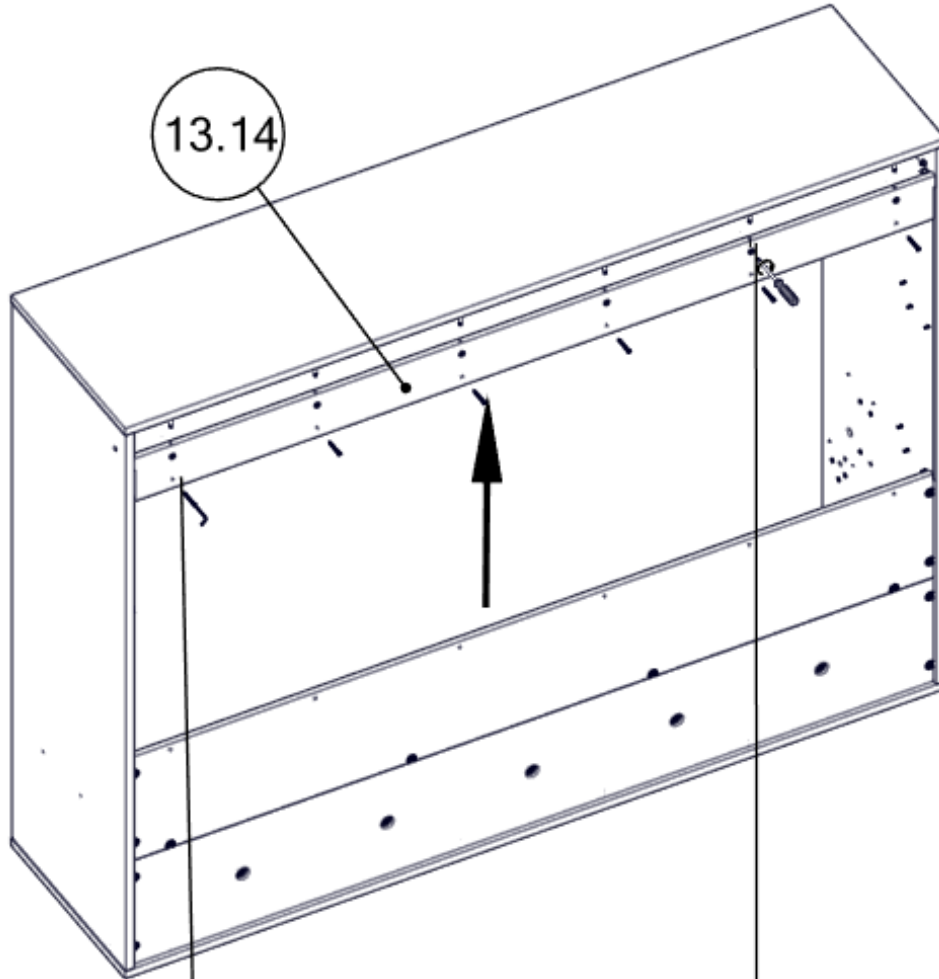
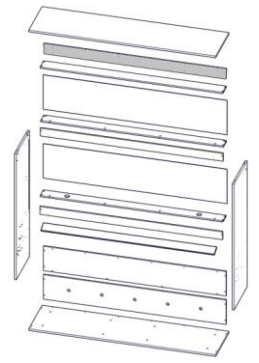
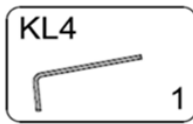
# 9



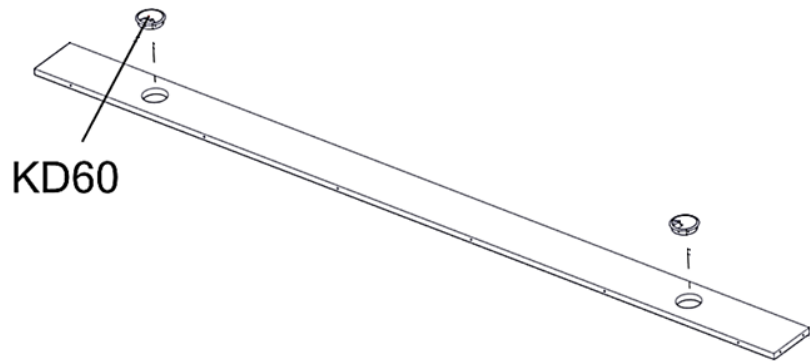
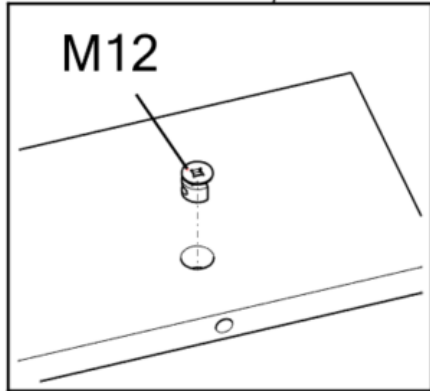
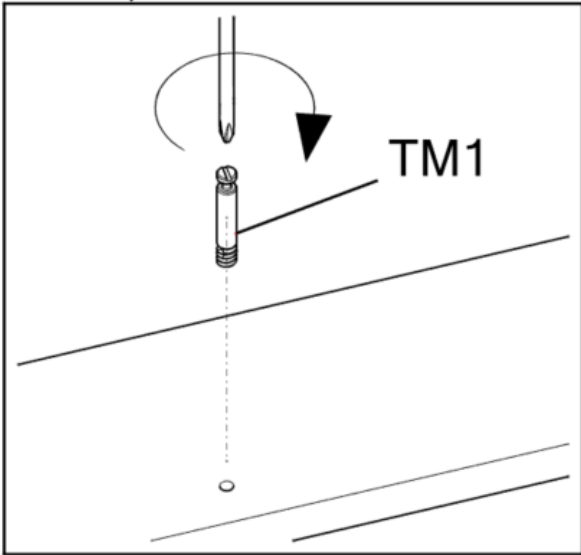
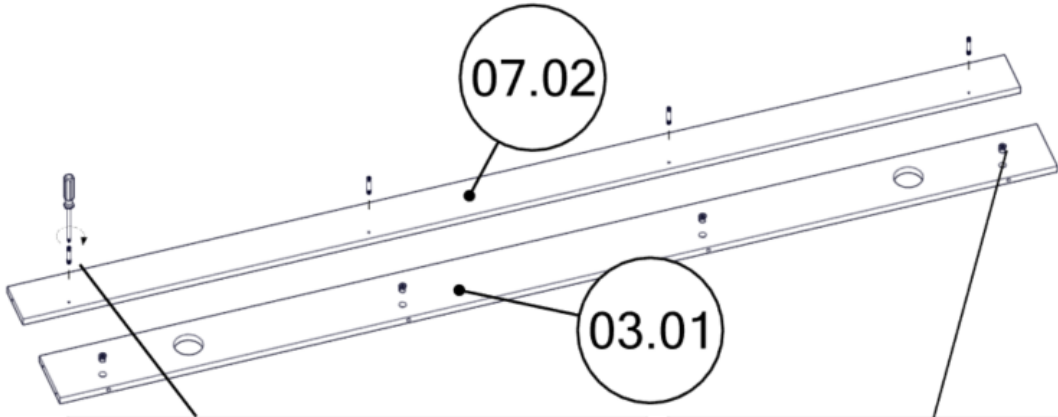
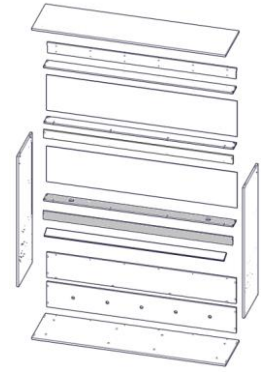
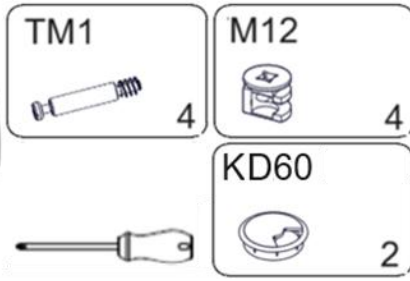
# 10



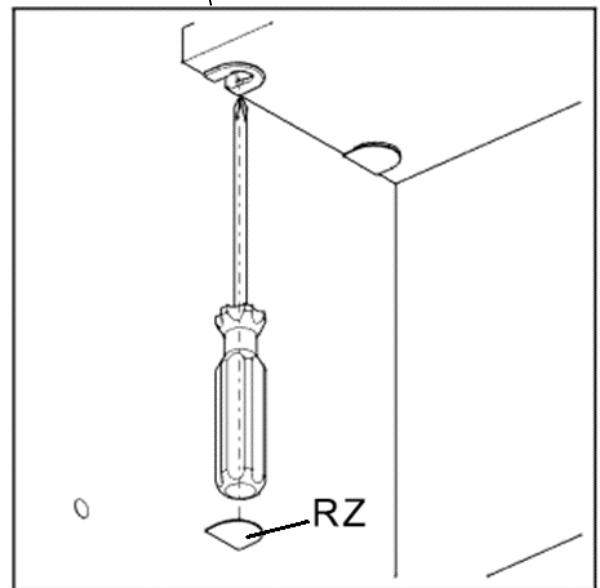
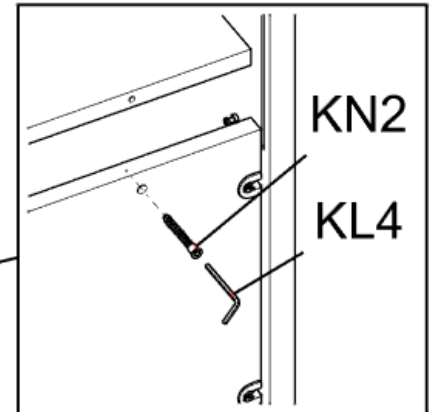
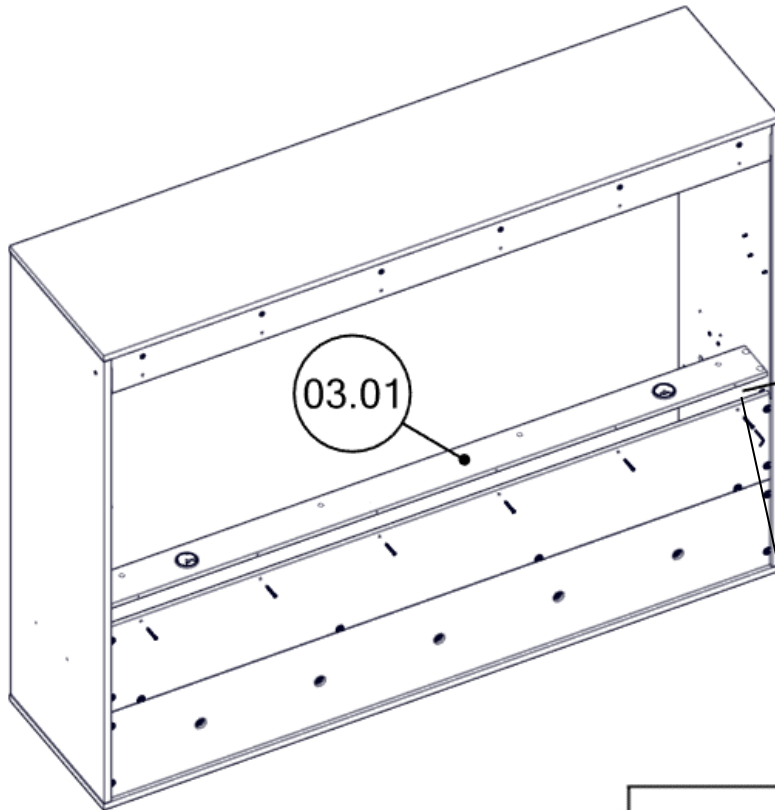
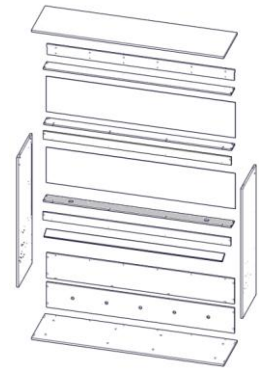
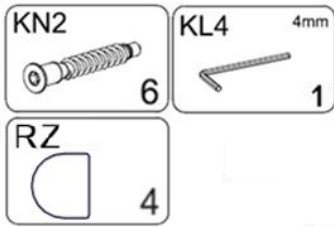
# 11



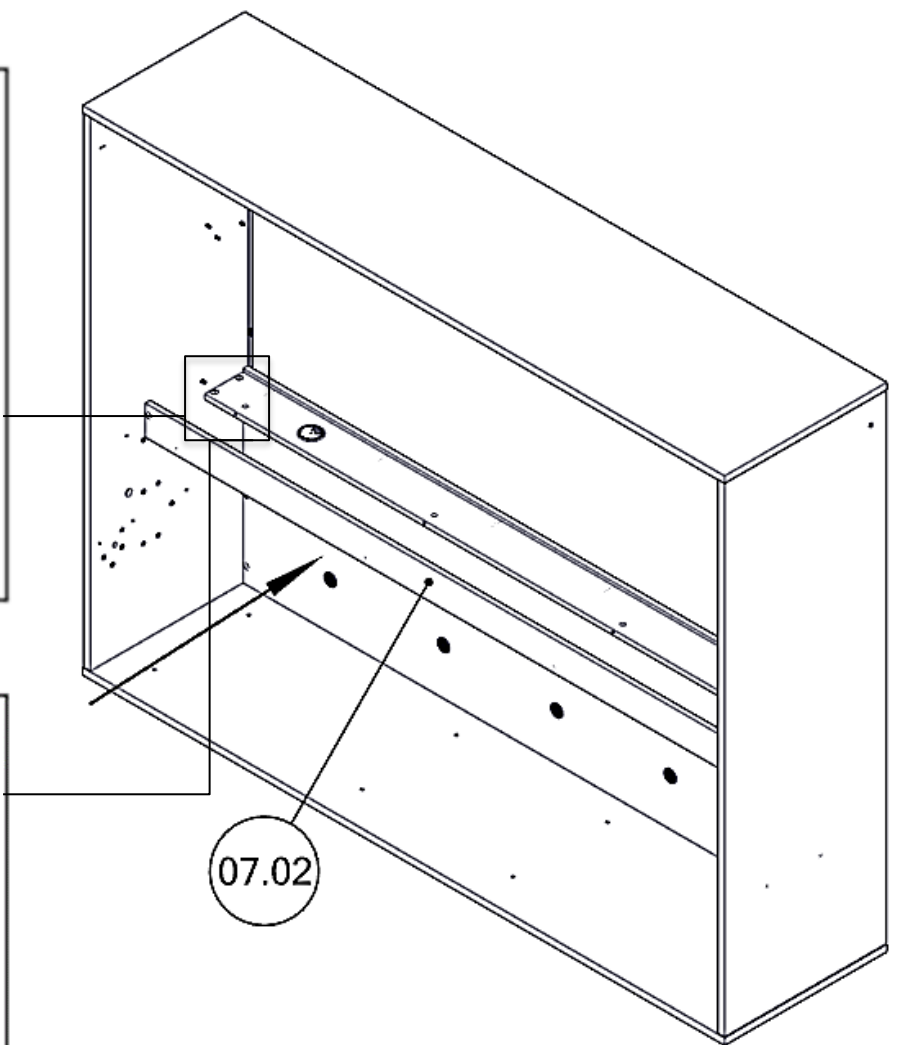
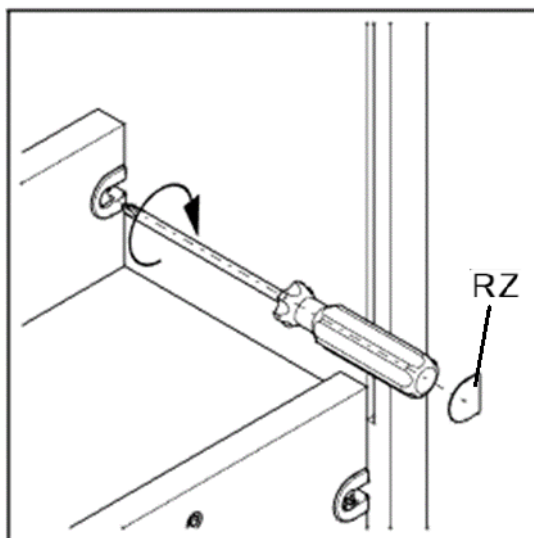
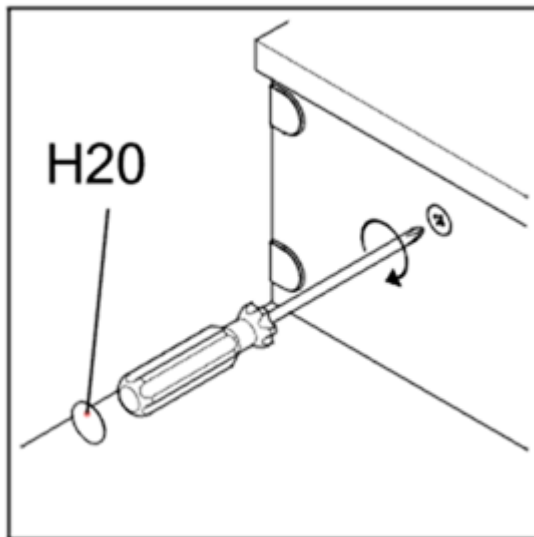
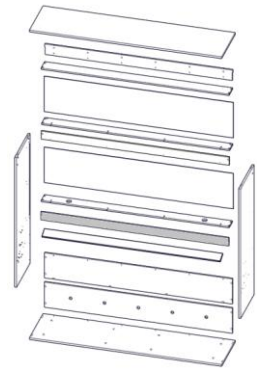
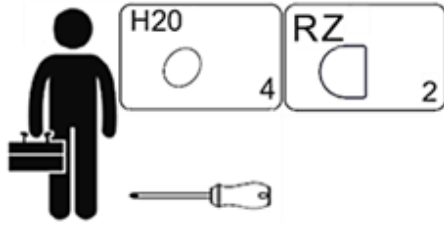
# 12



# 13

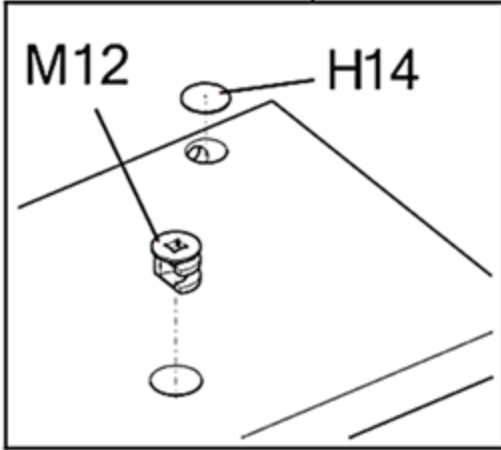
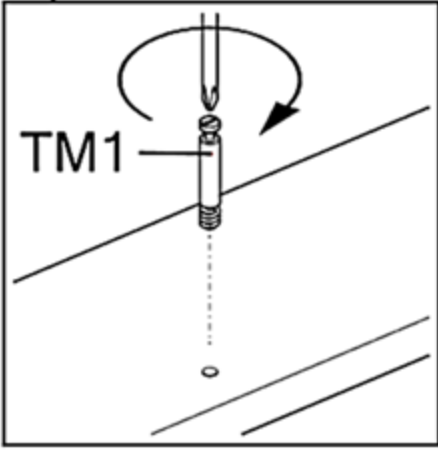
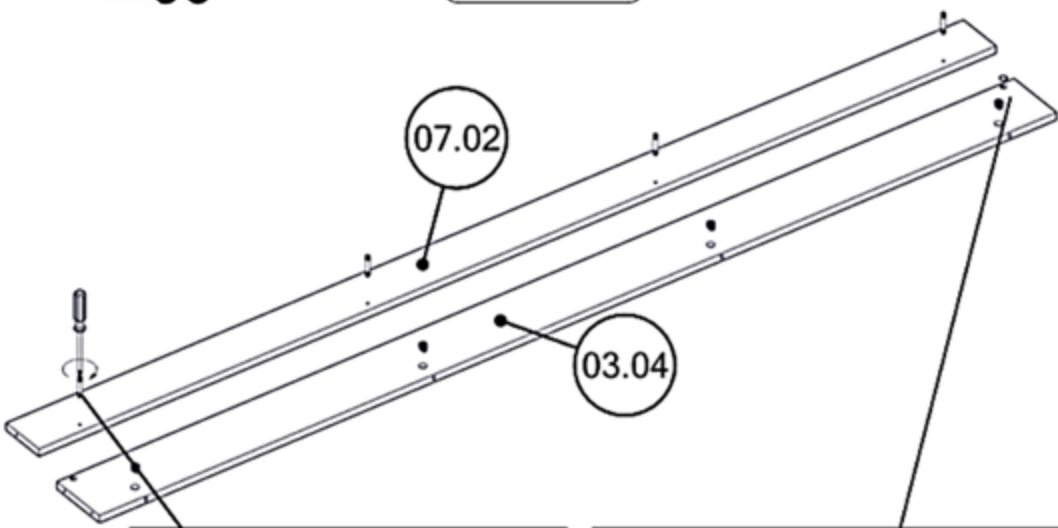
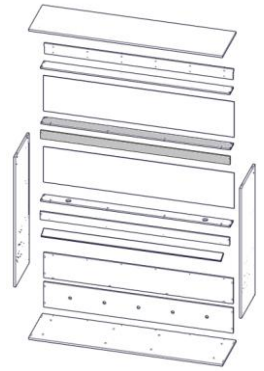
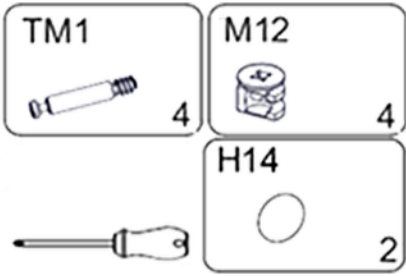


# 14

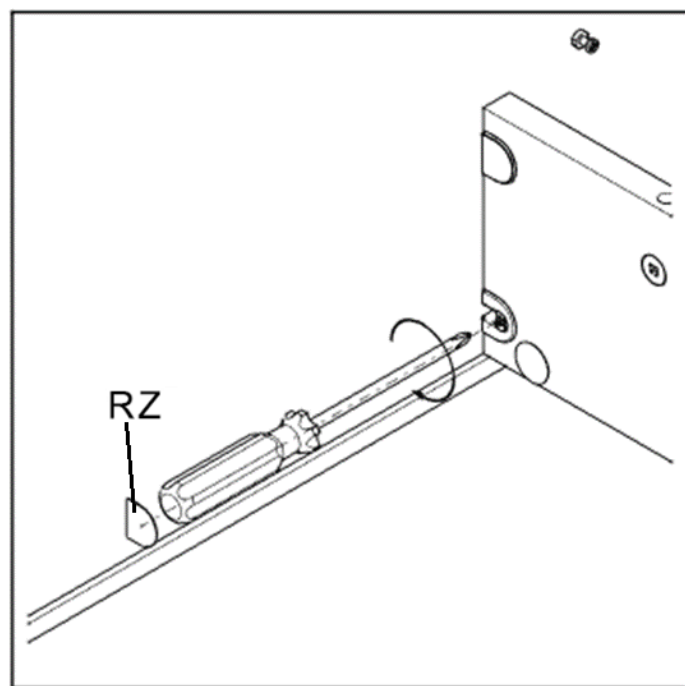
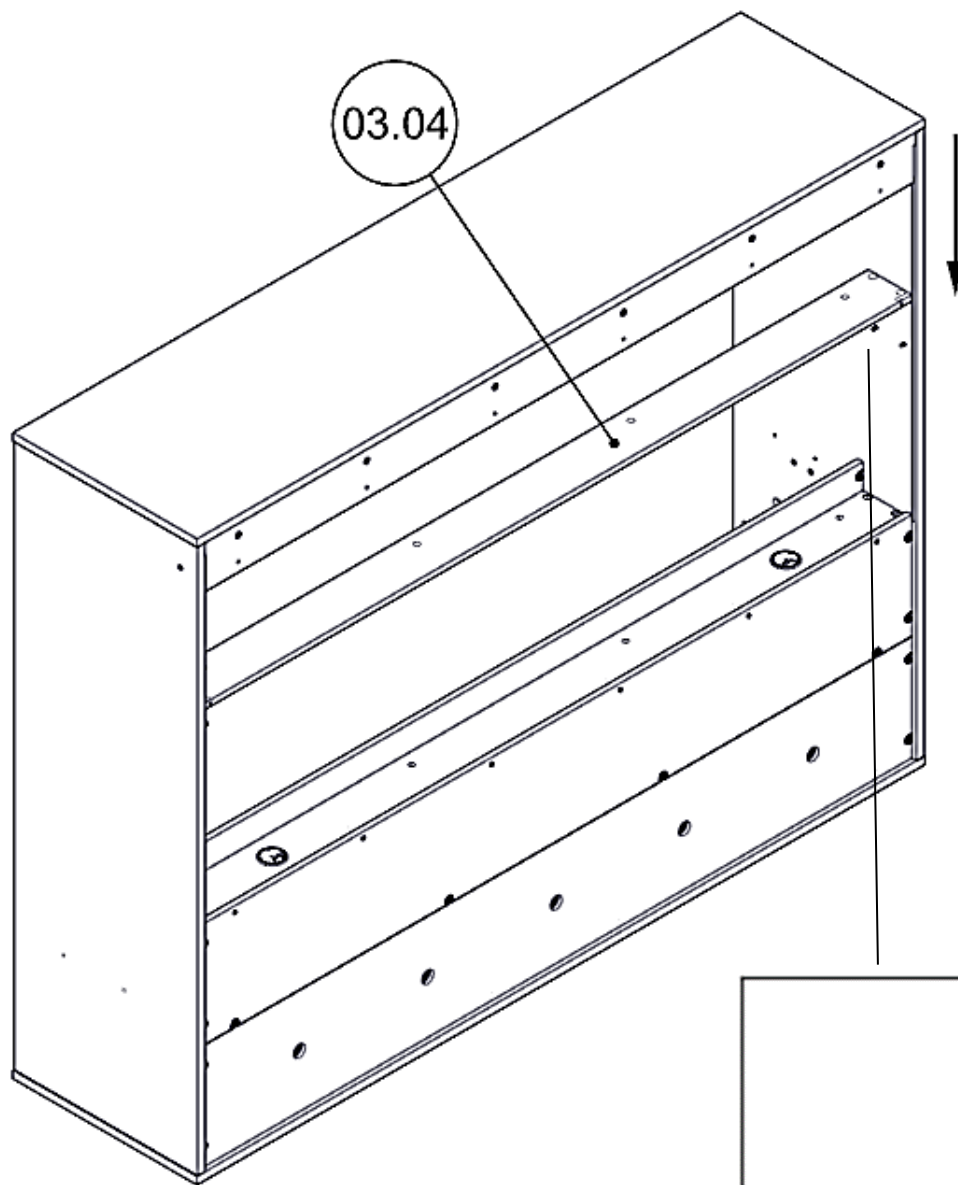
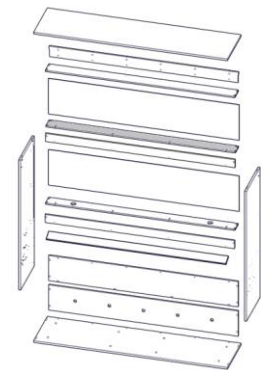
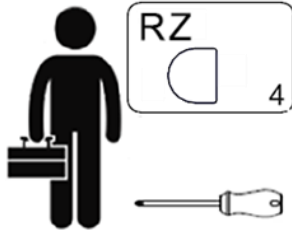




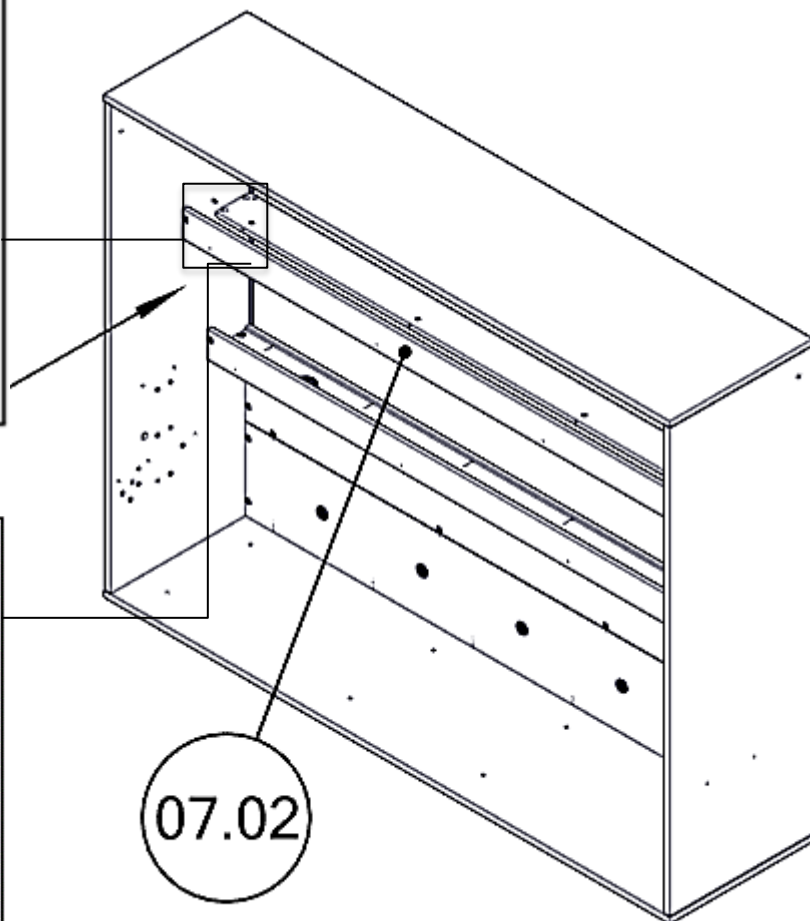
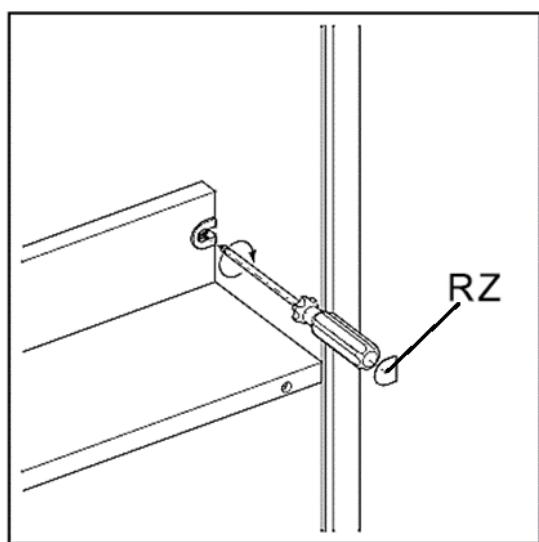
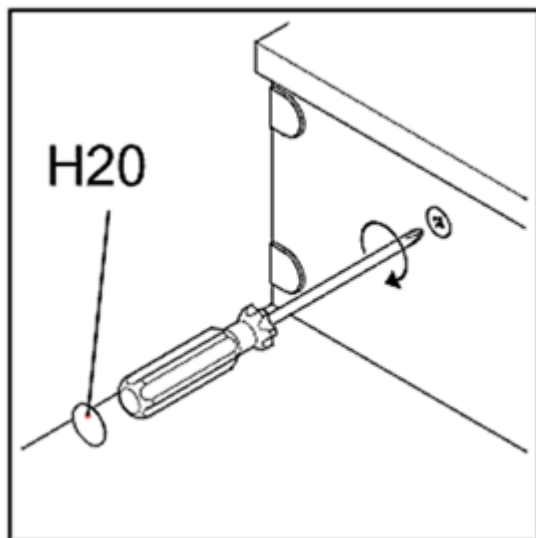
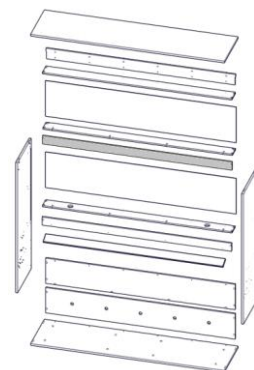
# 15



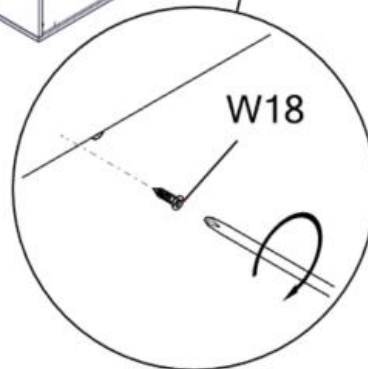
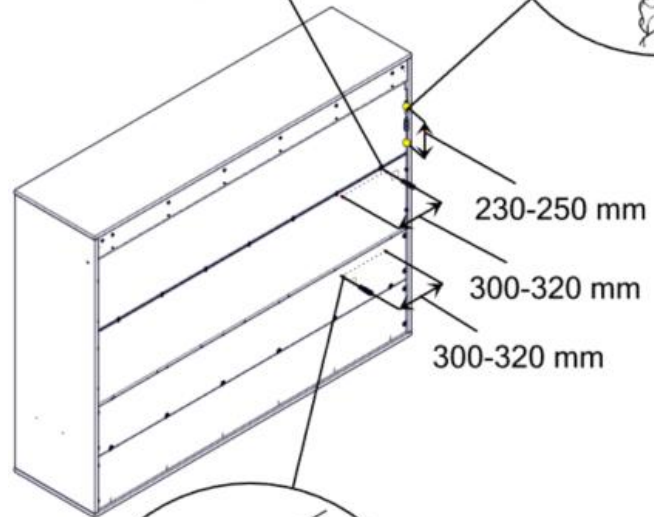
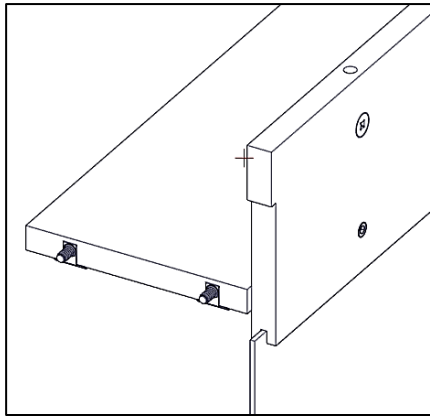
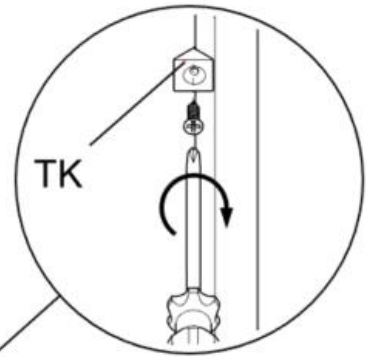
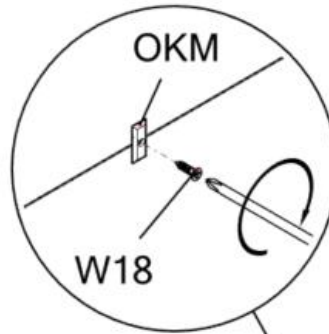
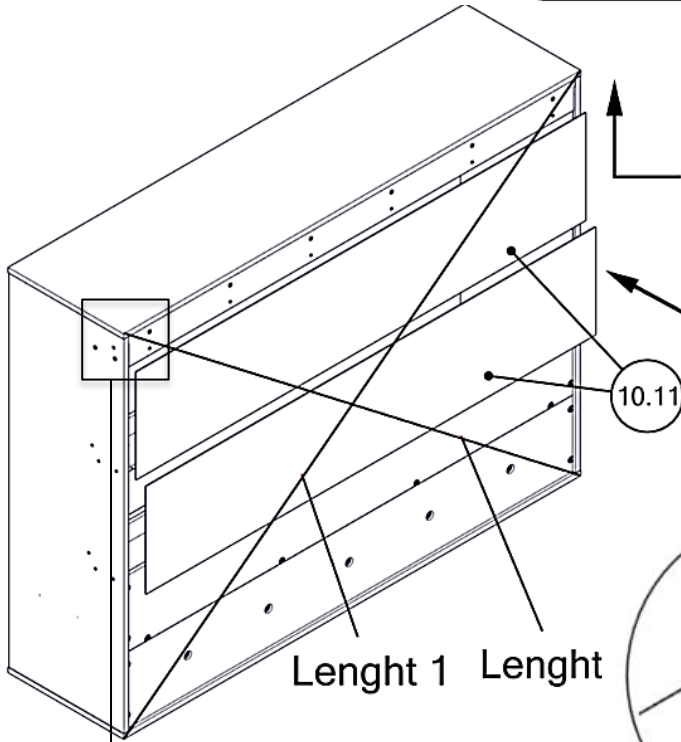
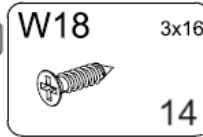
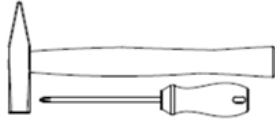
# 16



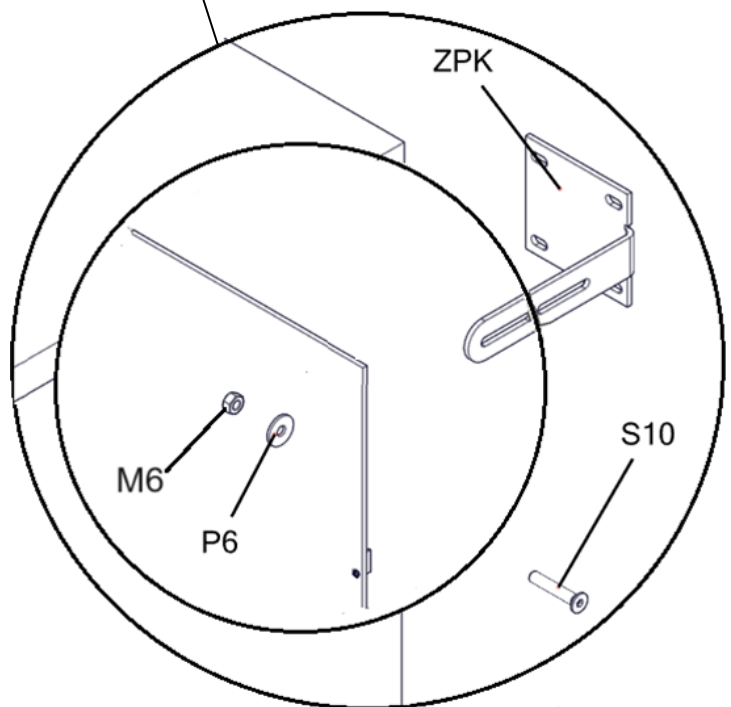
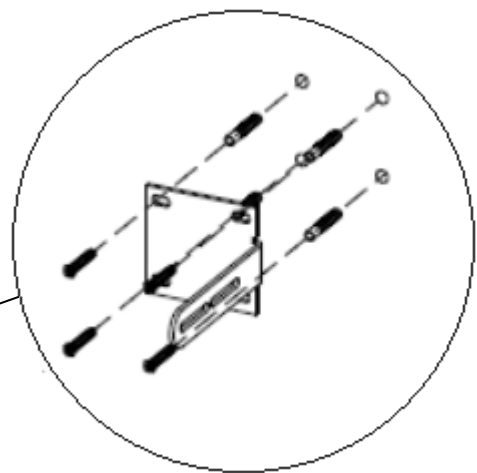
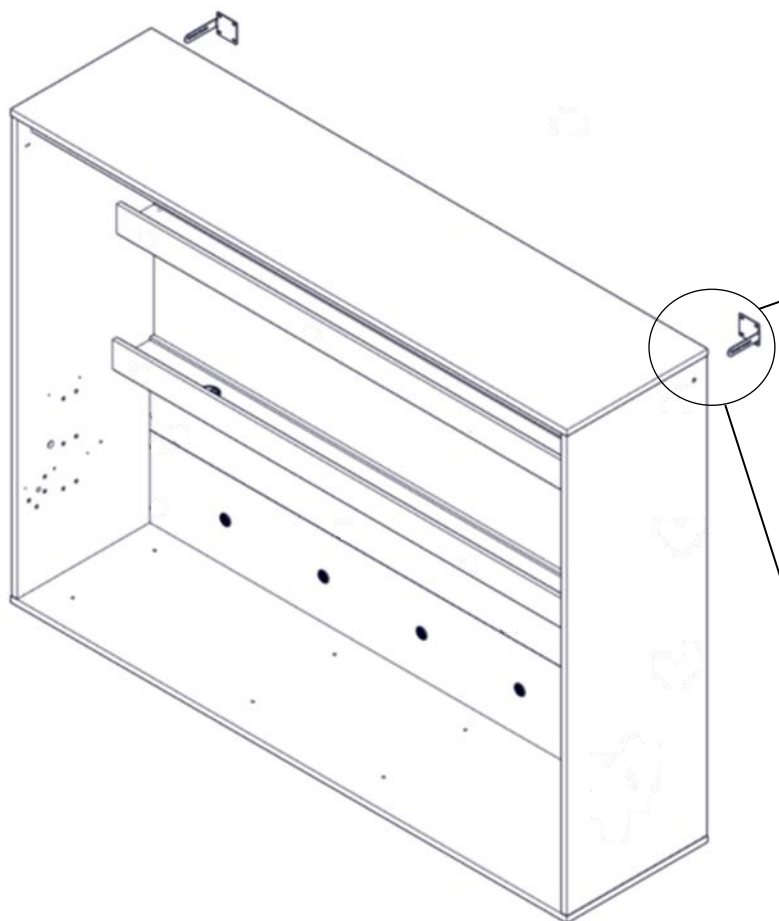
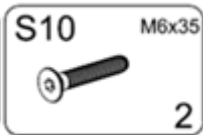
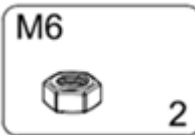
# 17



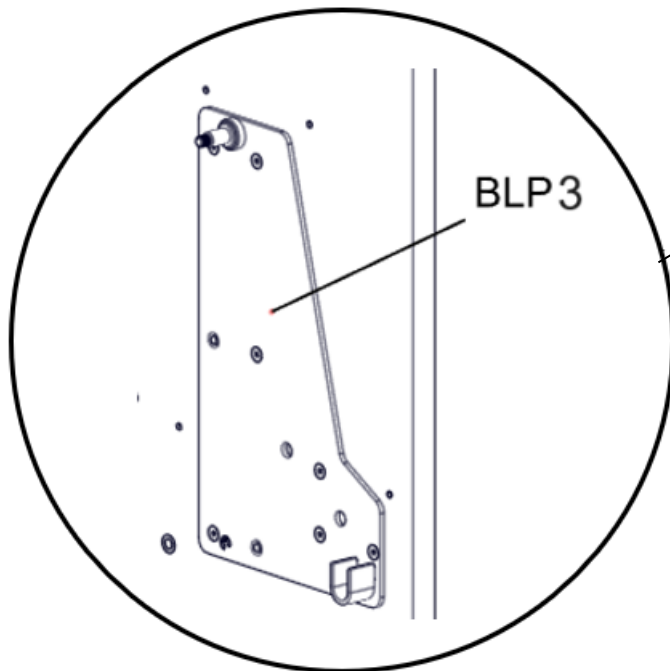
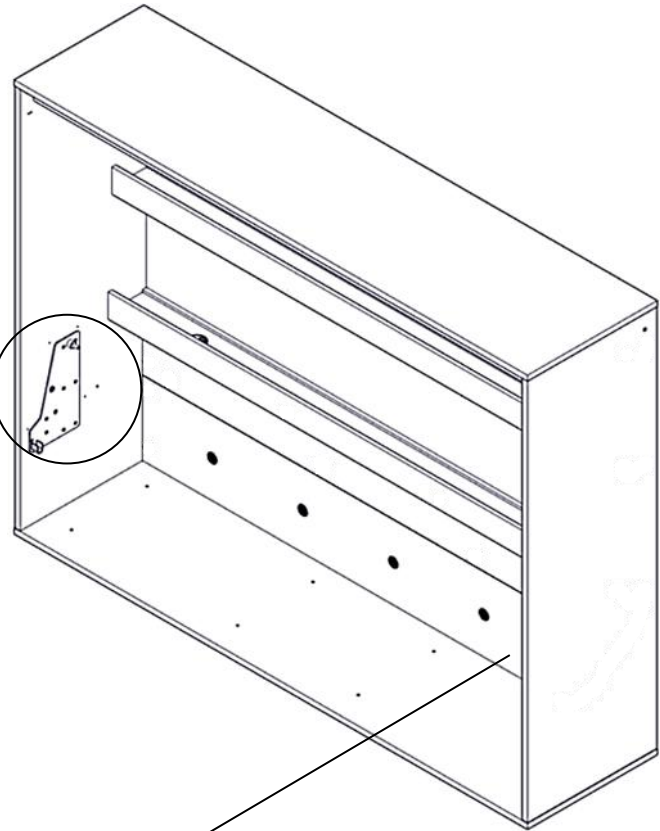
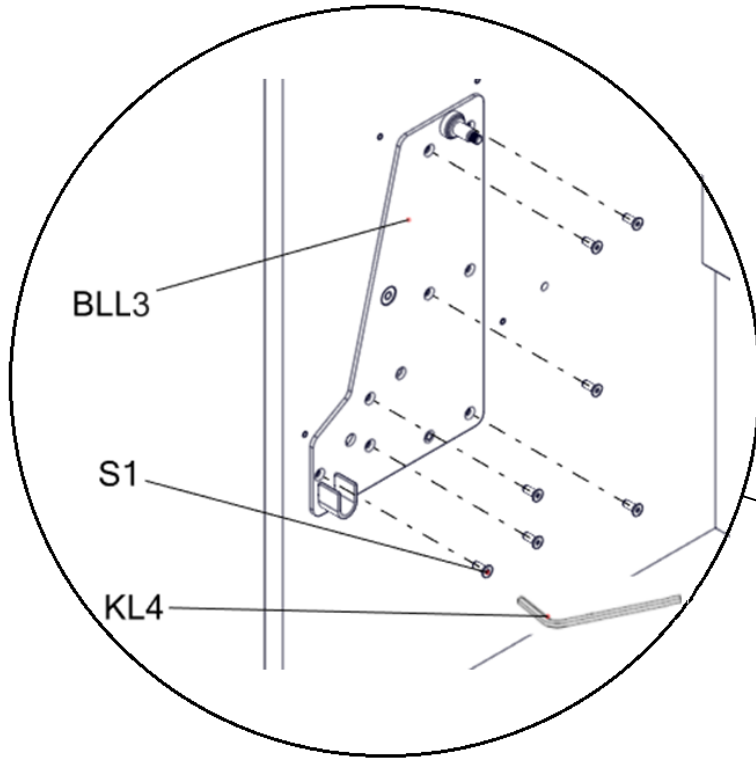
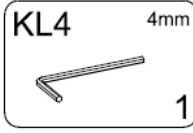
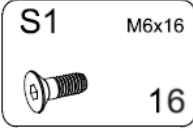
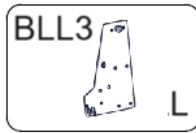
# 18



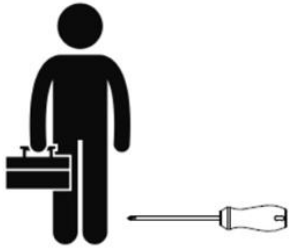
# 19



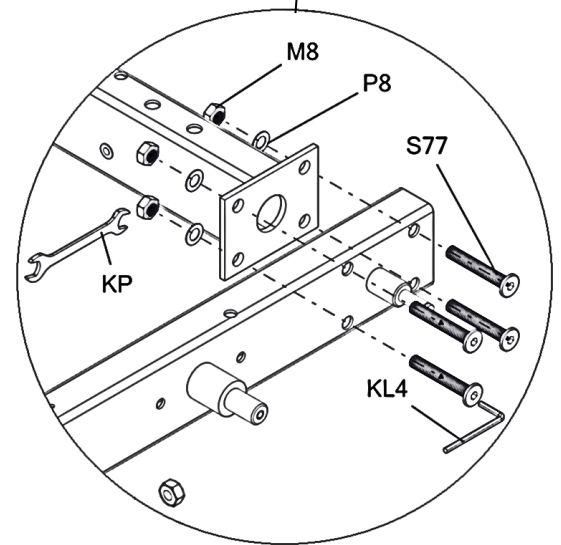
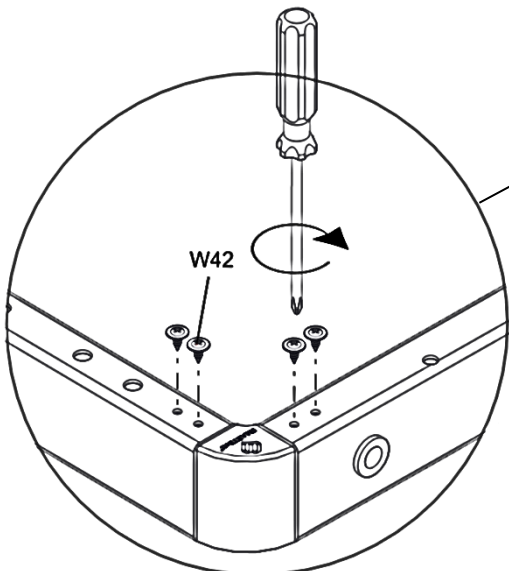
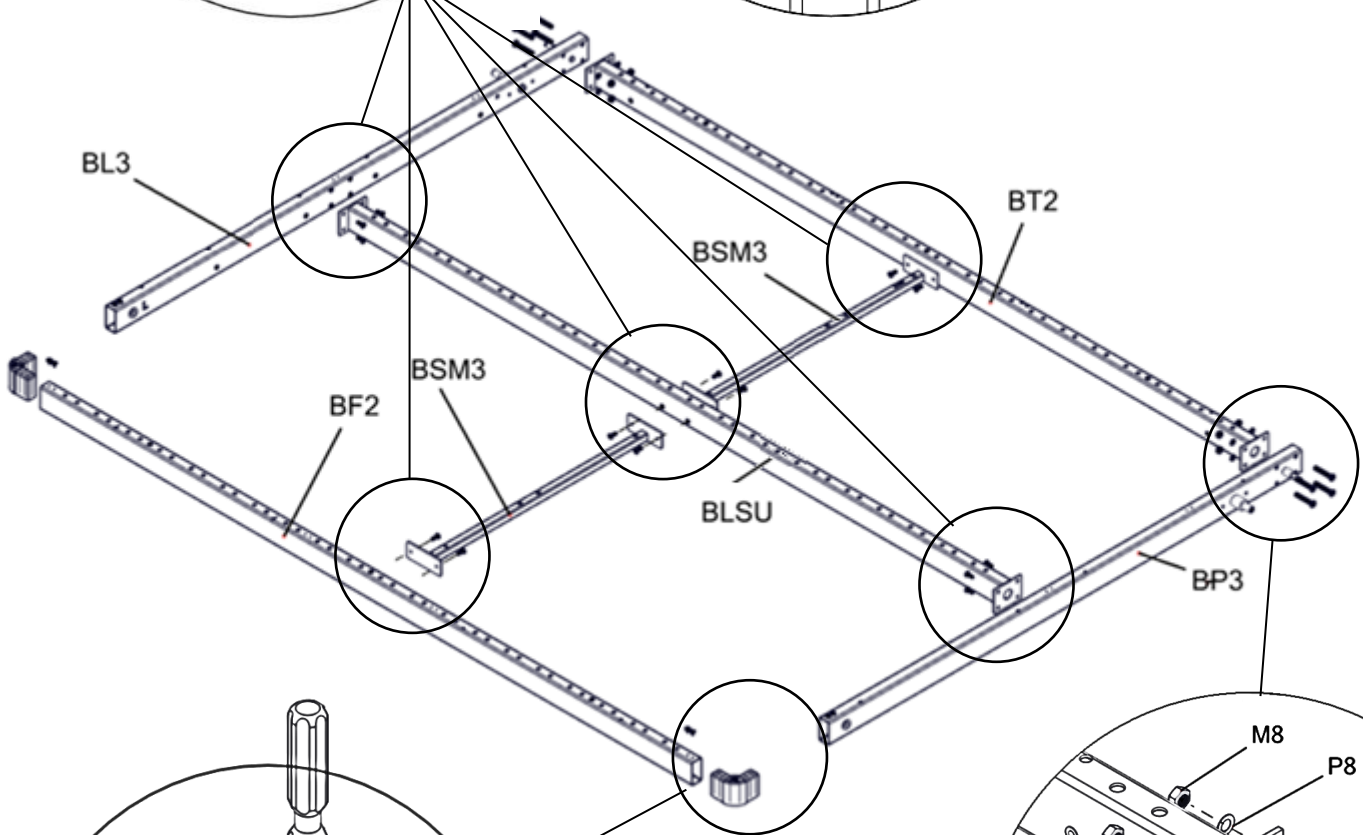
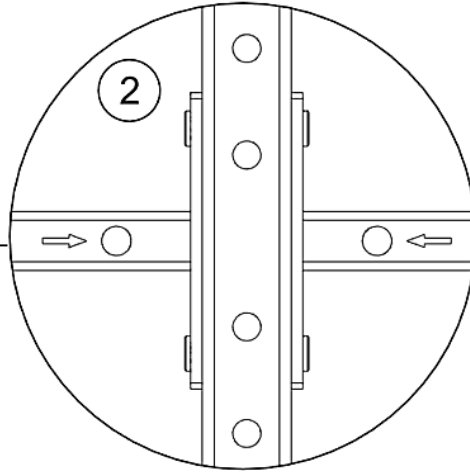
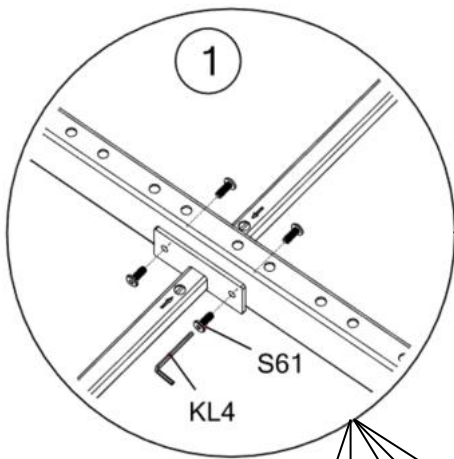
# 20



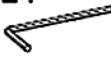


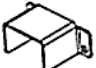



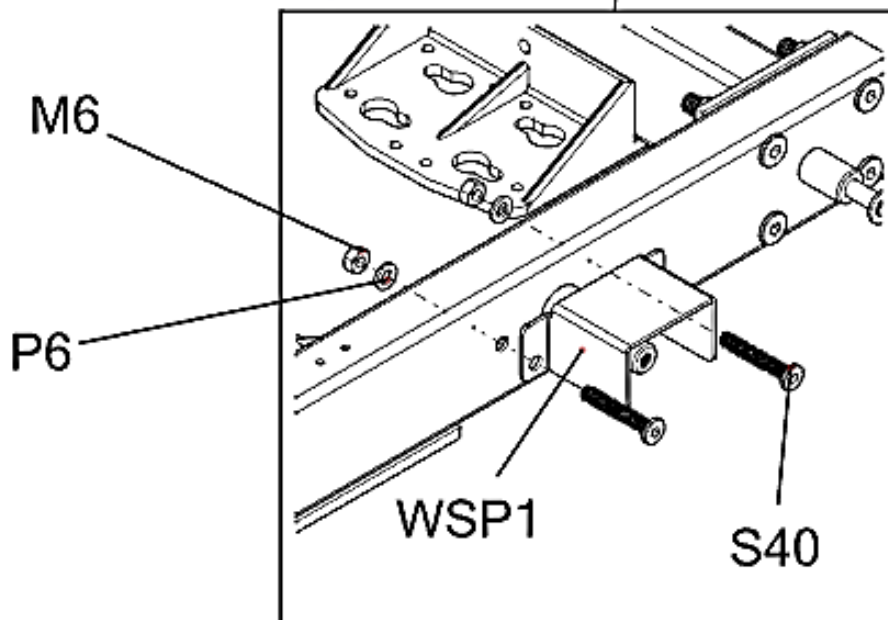
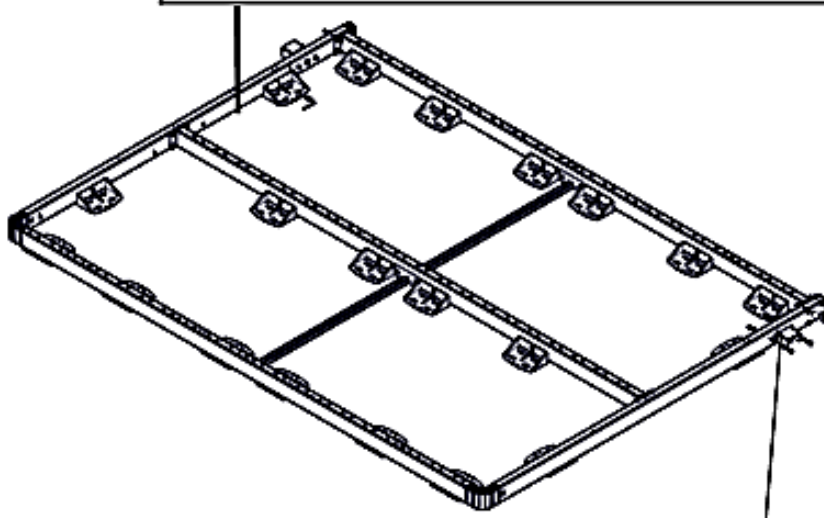
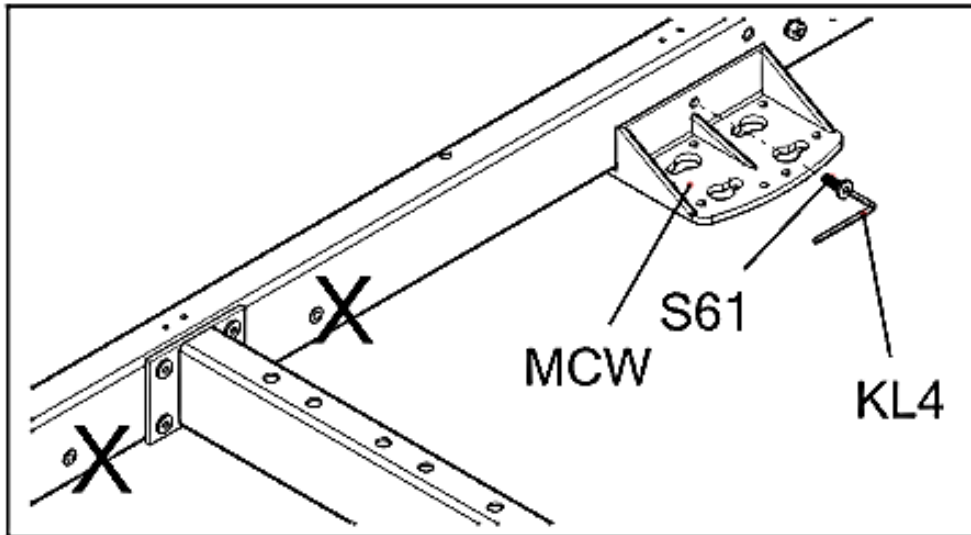
# 21



<b>S77</b> M8x45 8	<b>KRM</b> 2	<b>KP</b> 10 / 13 mm 1	<b>P8</b> 8
<b>S61</b> M6x16 16	<b>W42</b> 4x14 8	<b>KL4</b> 1	<b>M8</b> 8

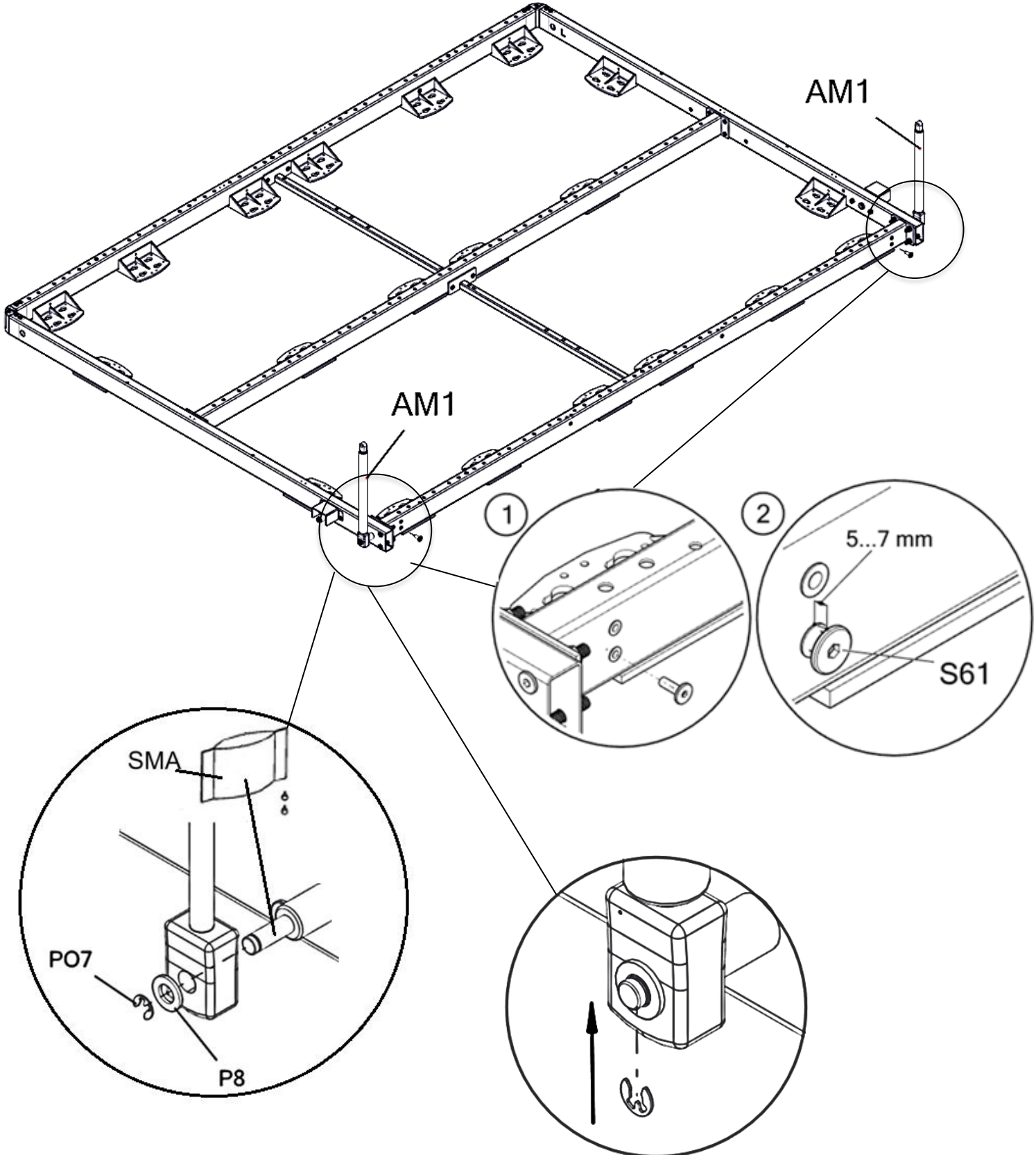
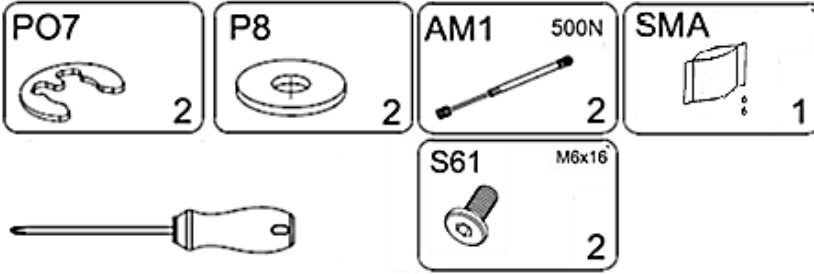


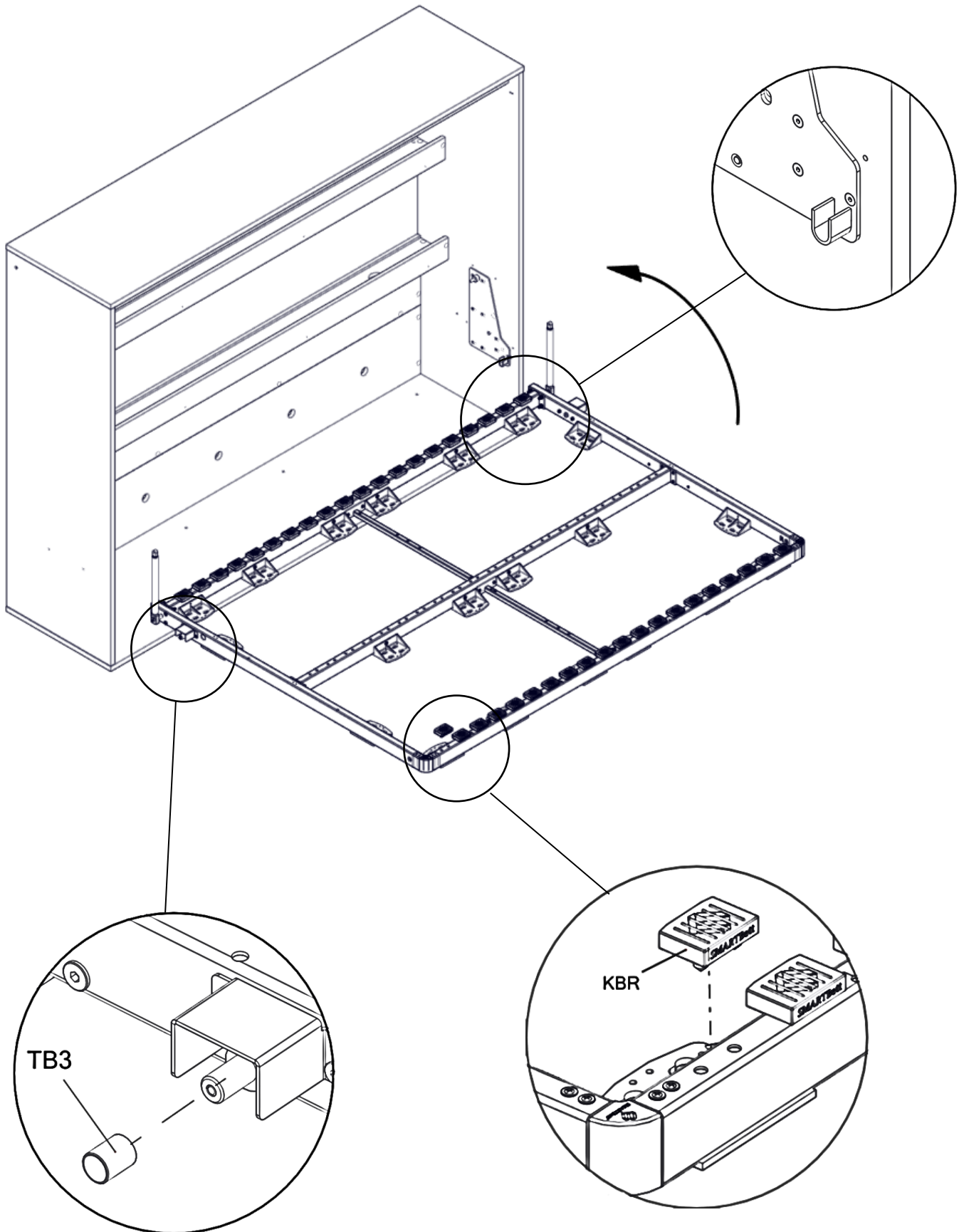
<b>MCW</b>  20	<b>S61</b> M6x16  20	<b>KL4</b>  1	<b>P6</b>  4
<b>S40</b> M6x40  4	<b>WSP1</b>  2	<b>M6</b>  4	



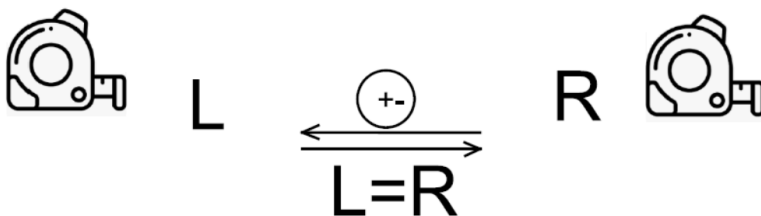
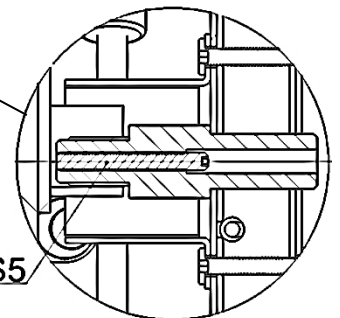
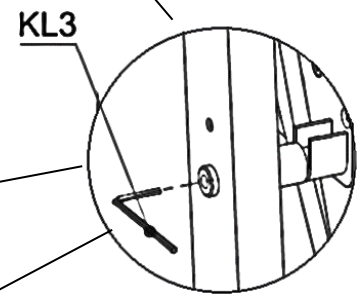
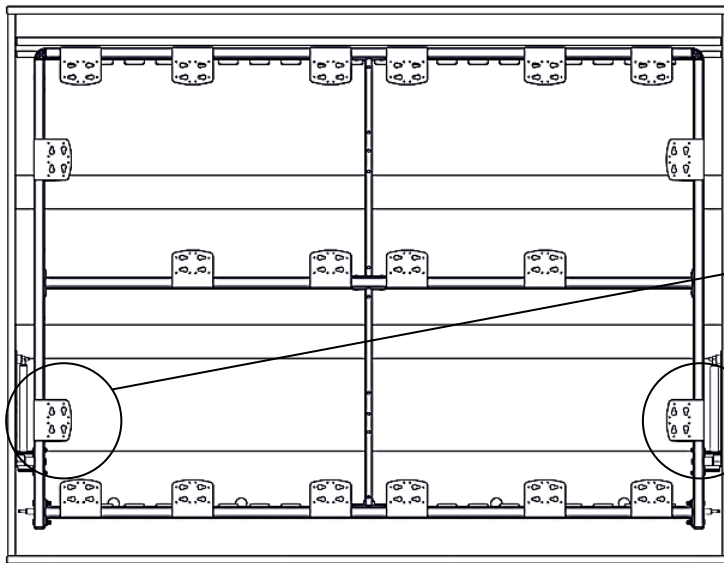
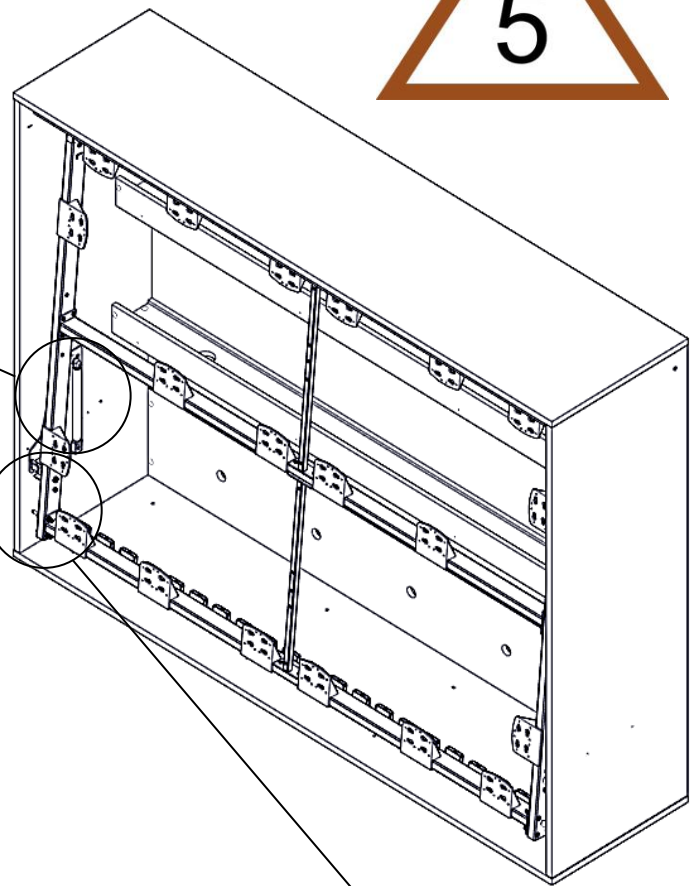
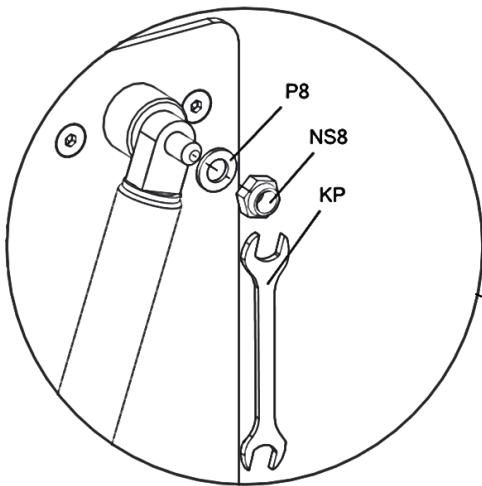


# 23

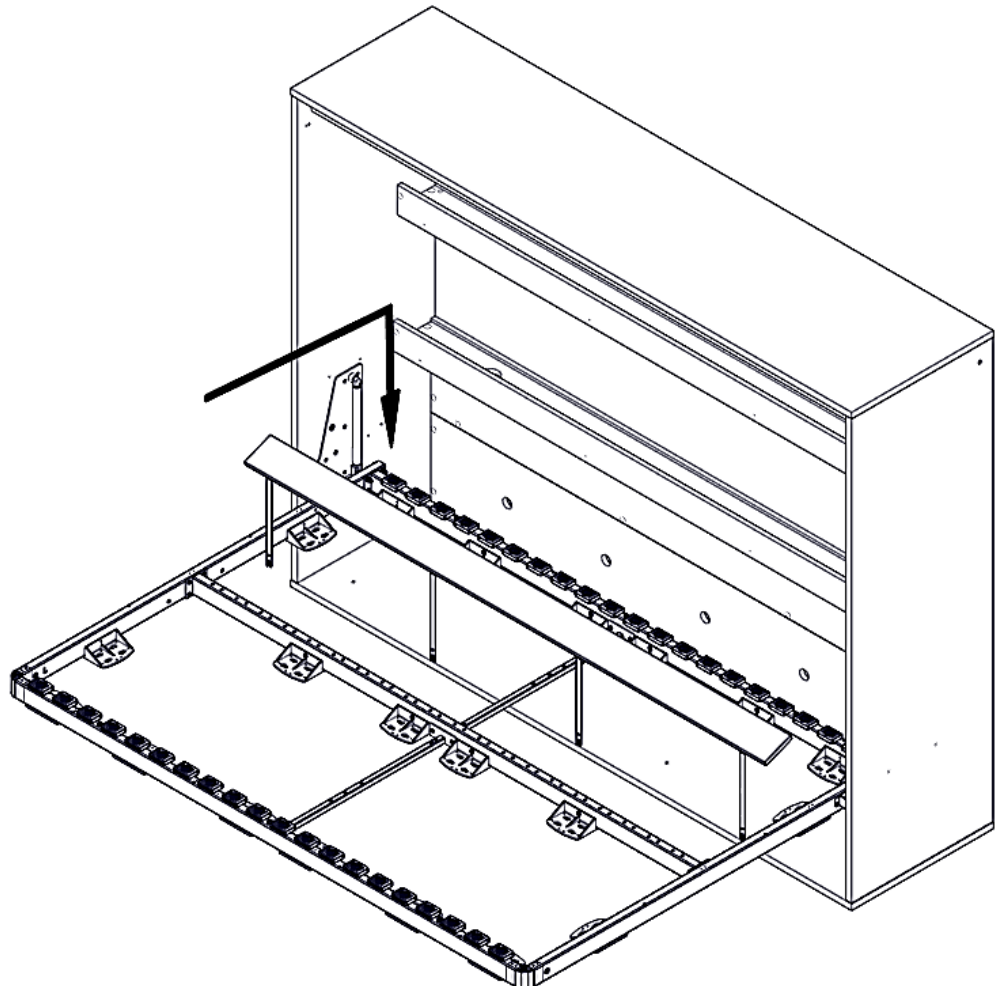
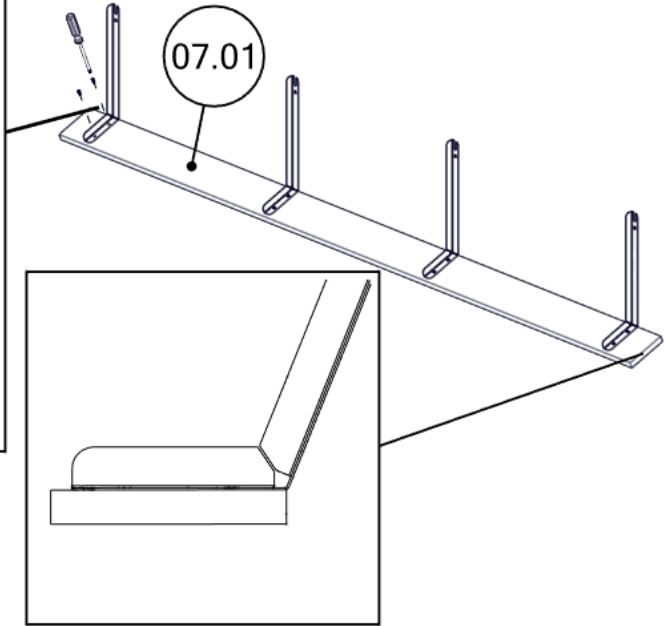
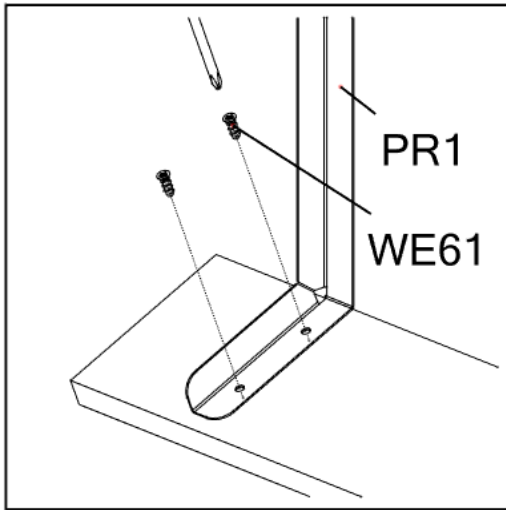
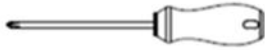
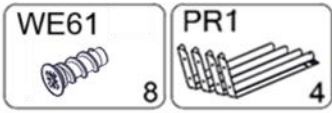




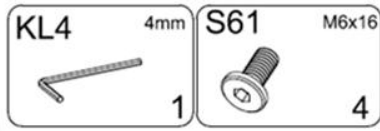
# 25



# 26



# 27

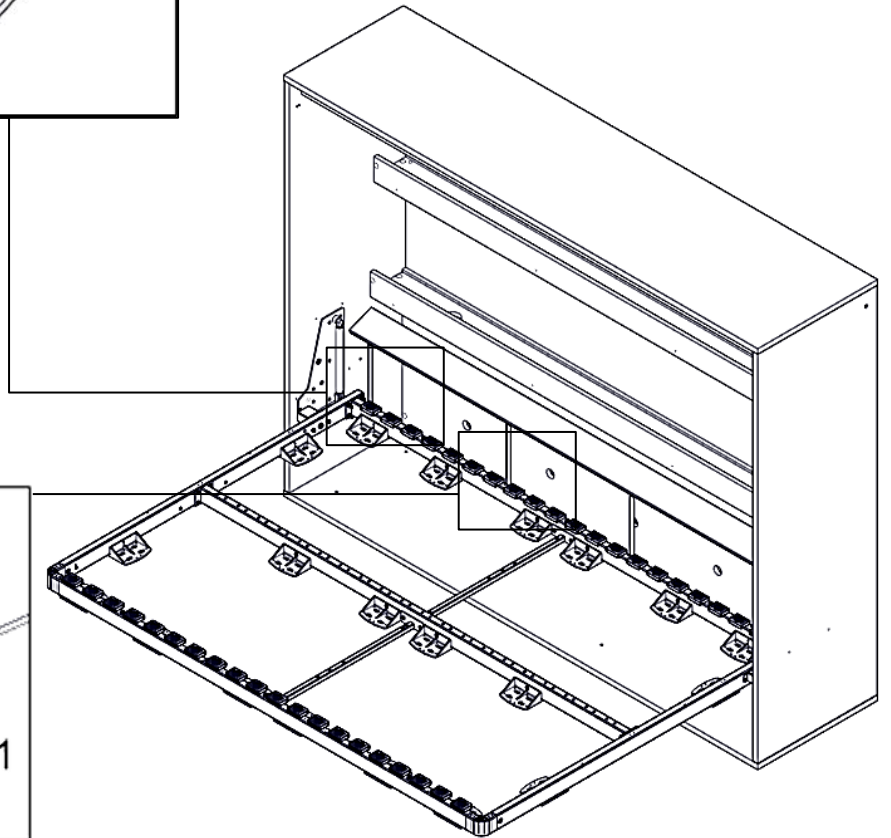
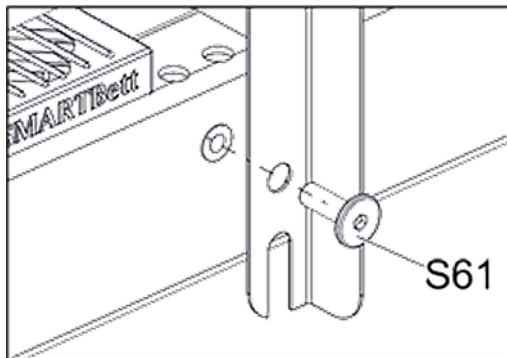
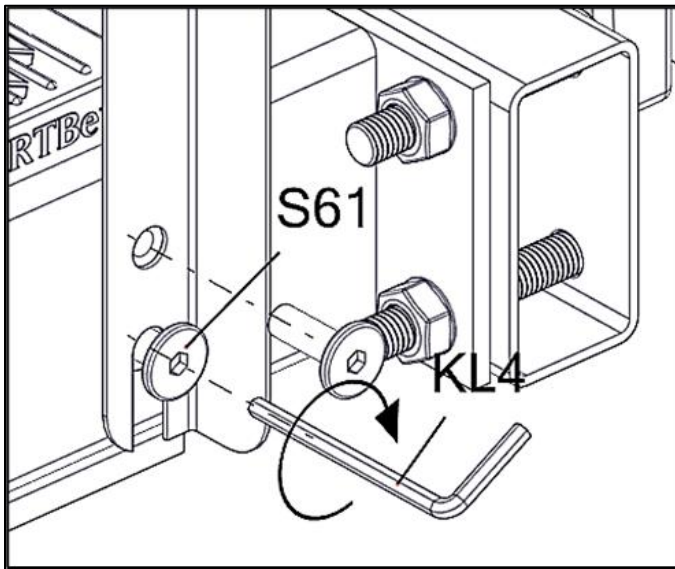


DE Ansicht von innen.

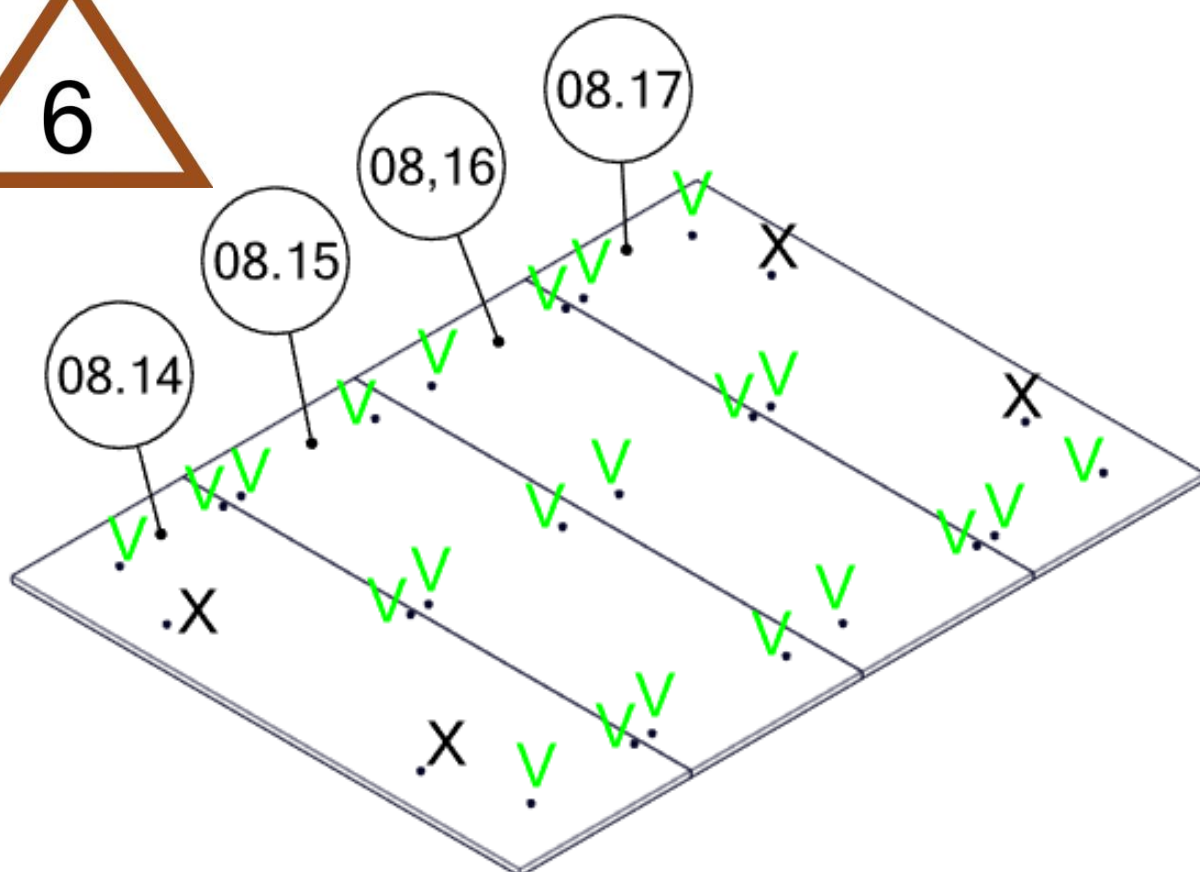
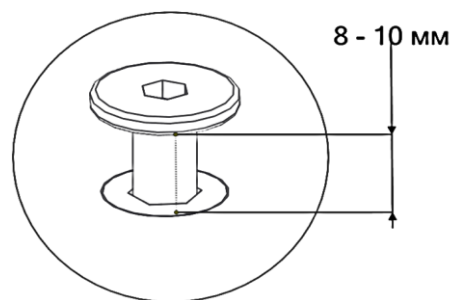
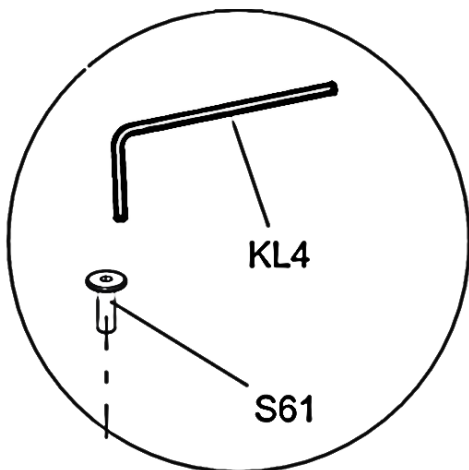
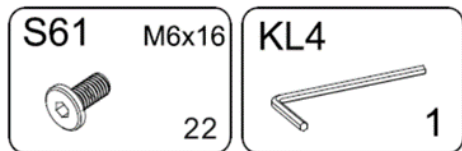
EN Inside view.

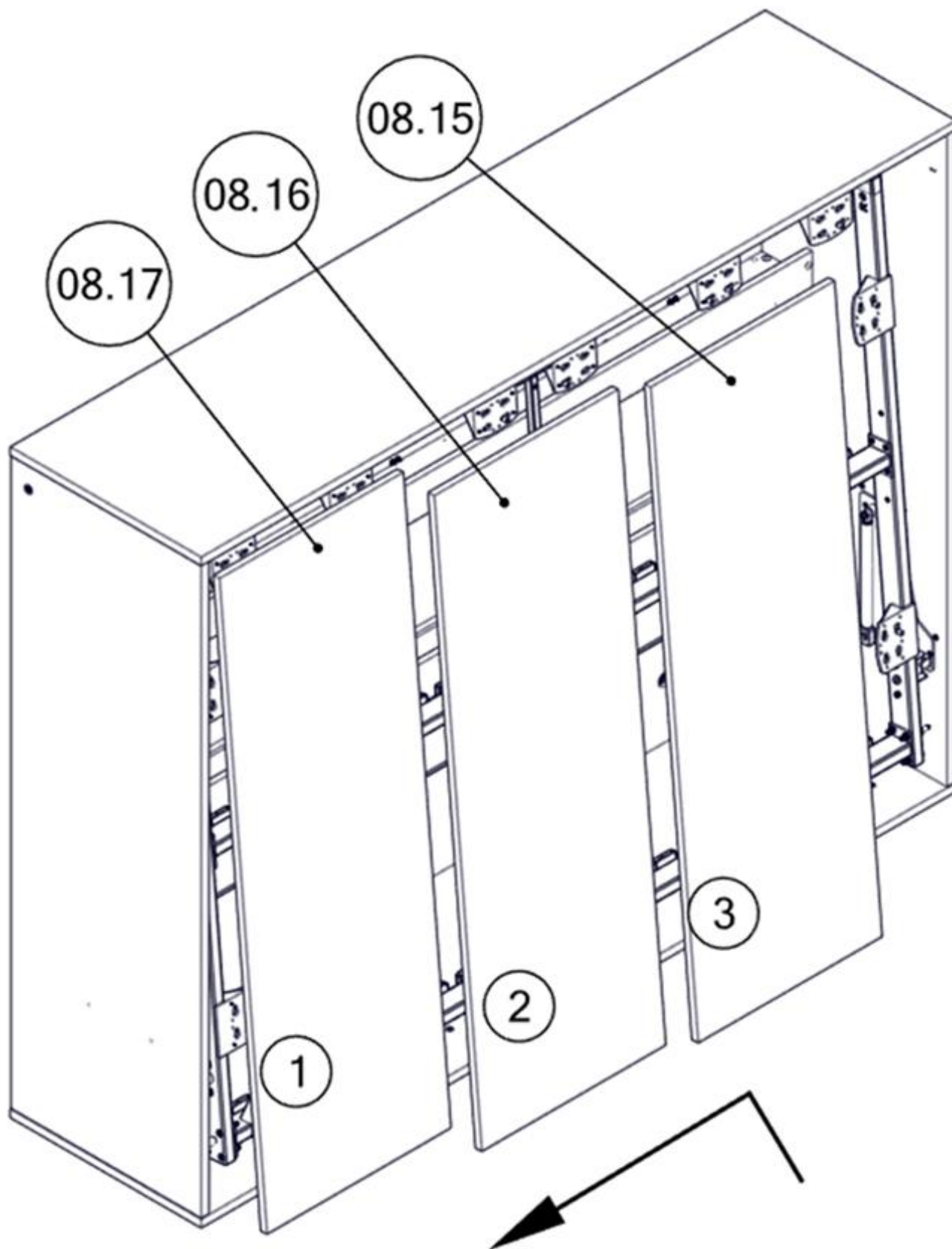
FR Vue de intérieure.

PL Widok od środka






# 28

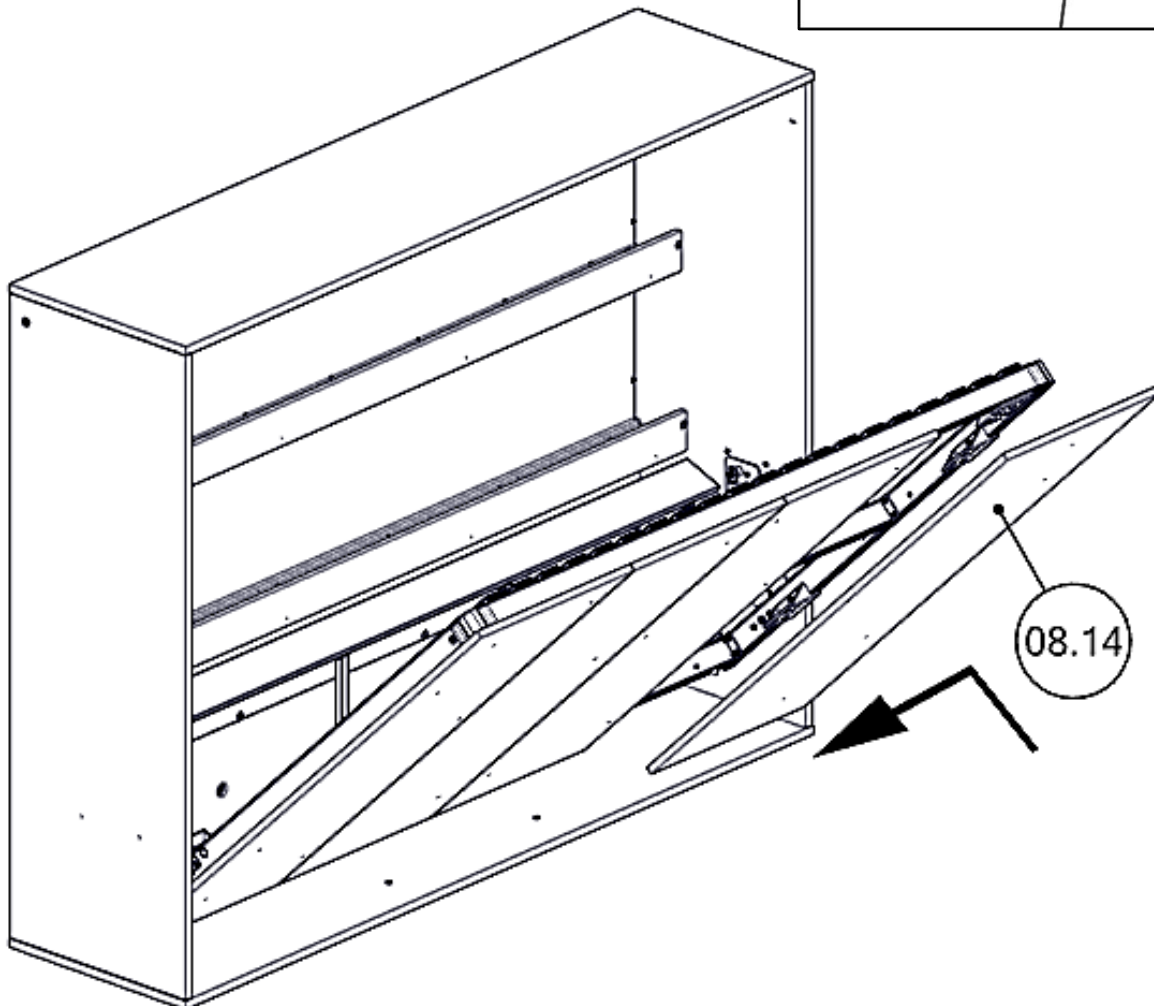
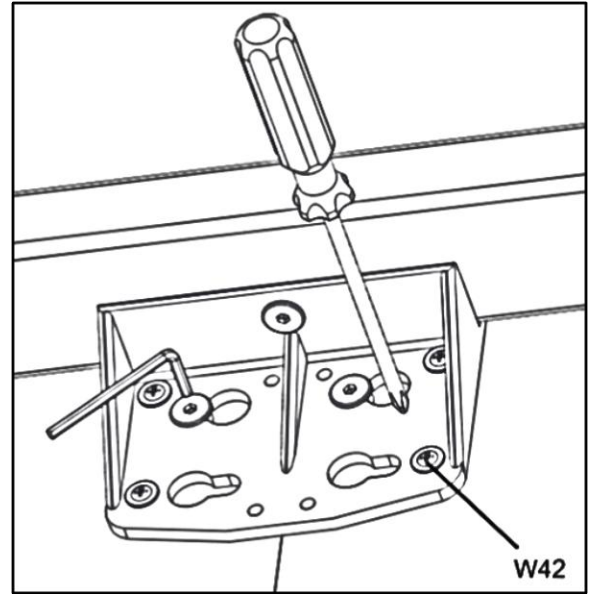
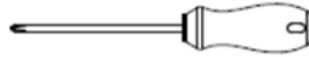




# 30

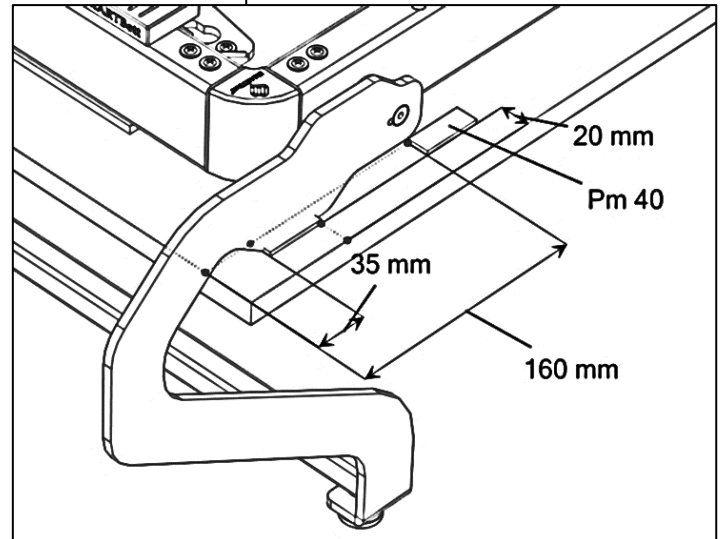
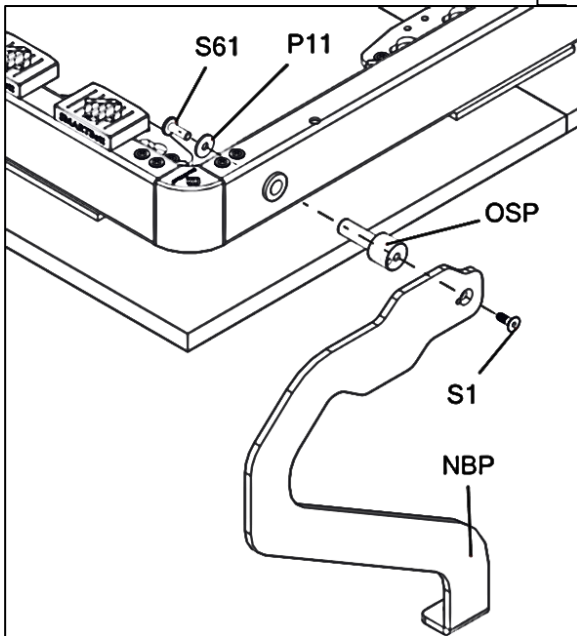
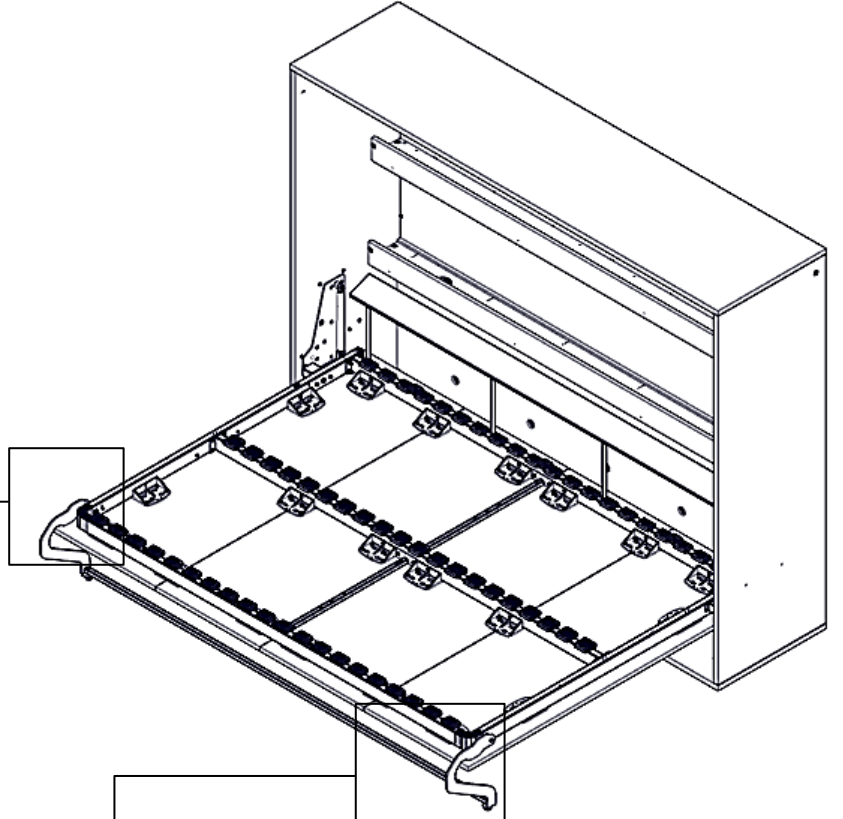
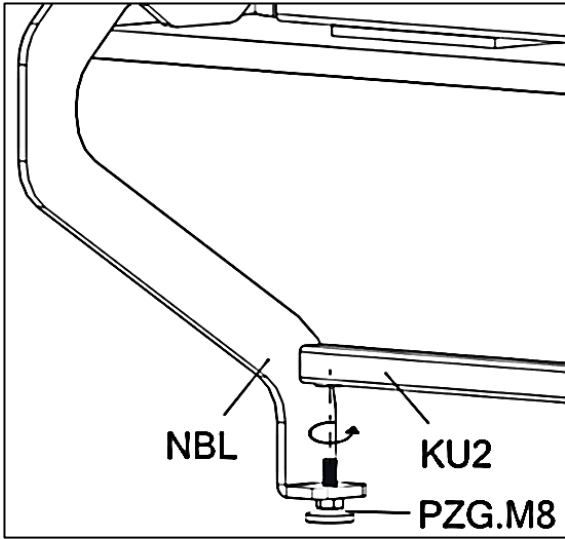
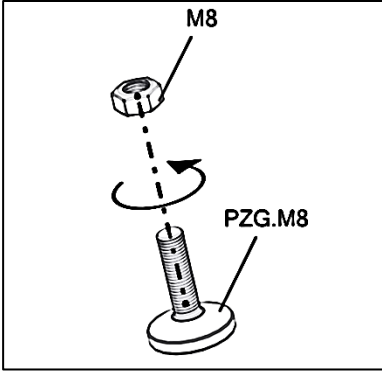
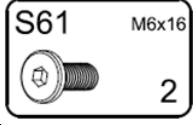
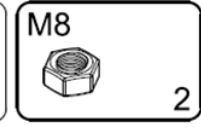
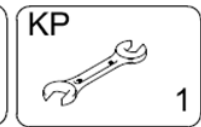
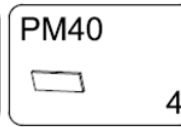
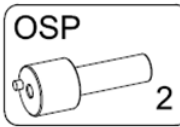
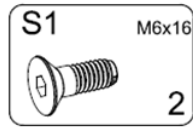


W42	4x14	KL4	4mm	S61	M6x16
	80		1		4

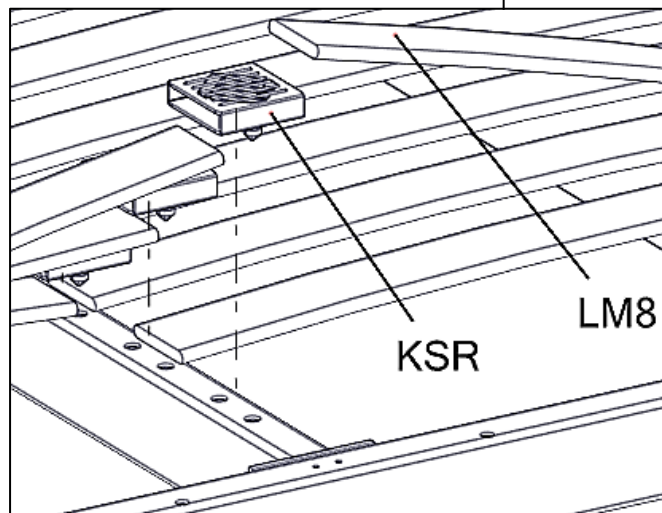
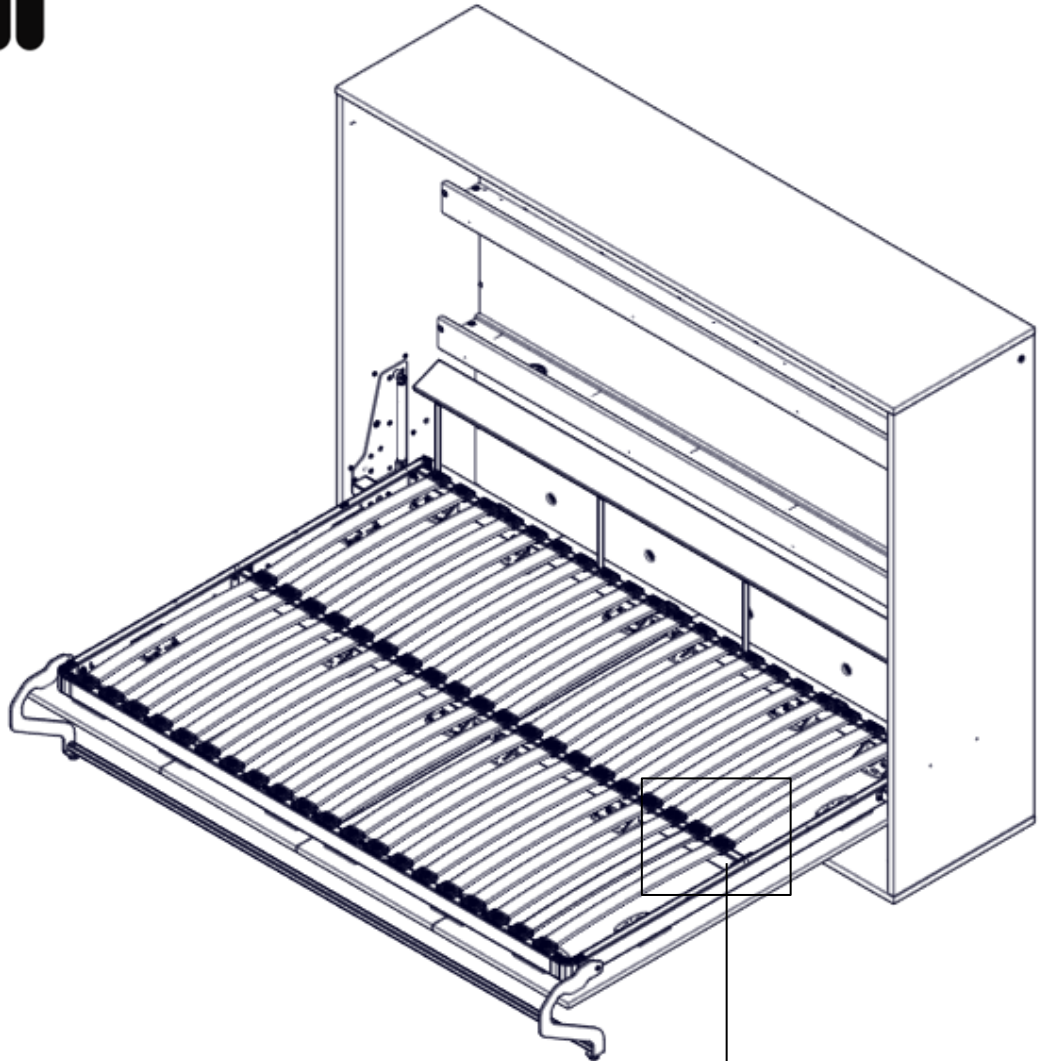
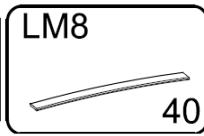
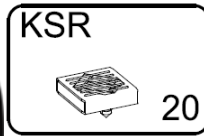




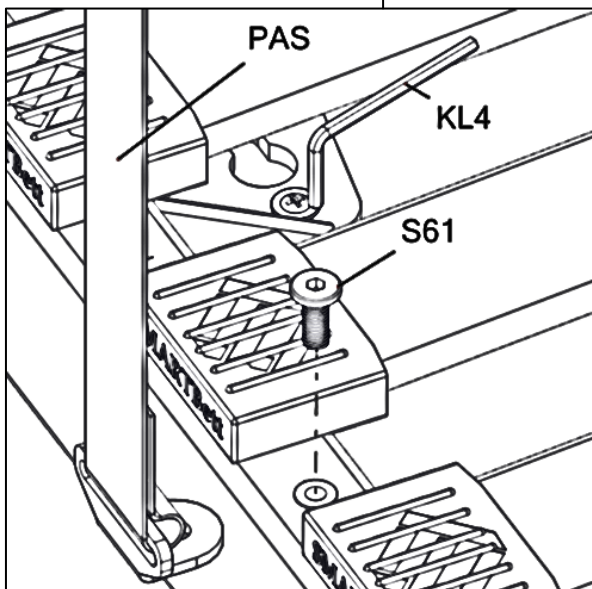
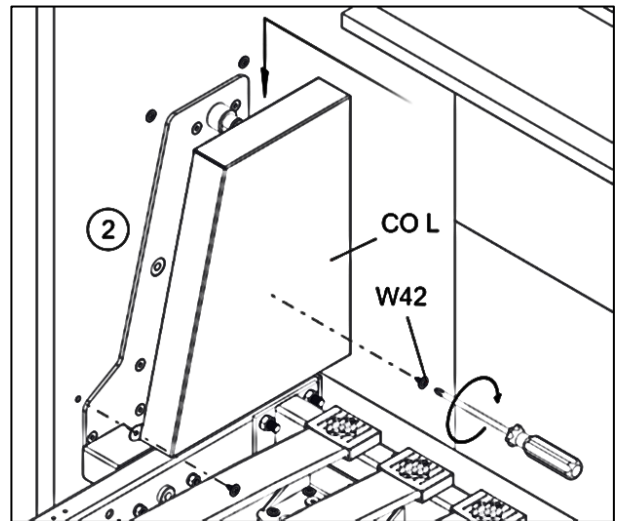
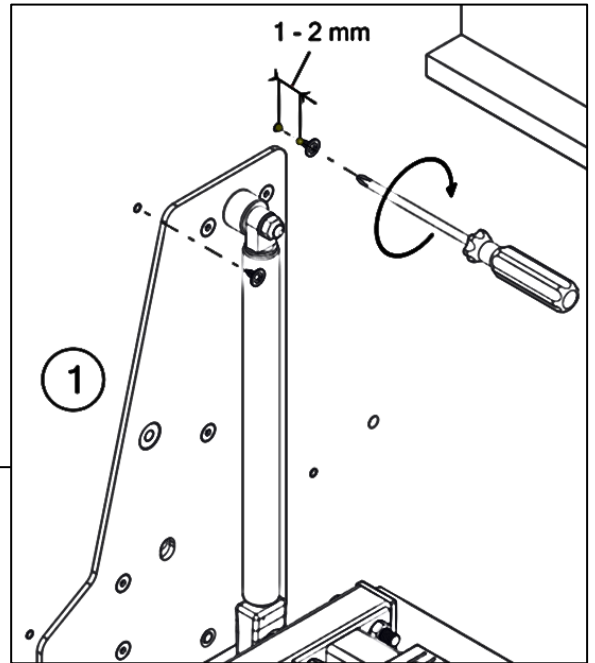
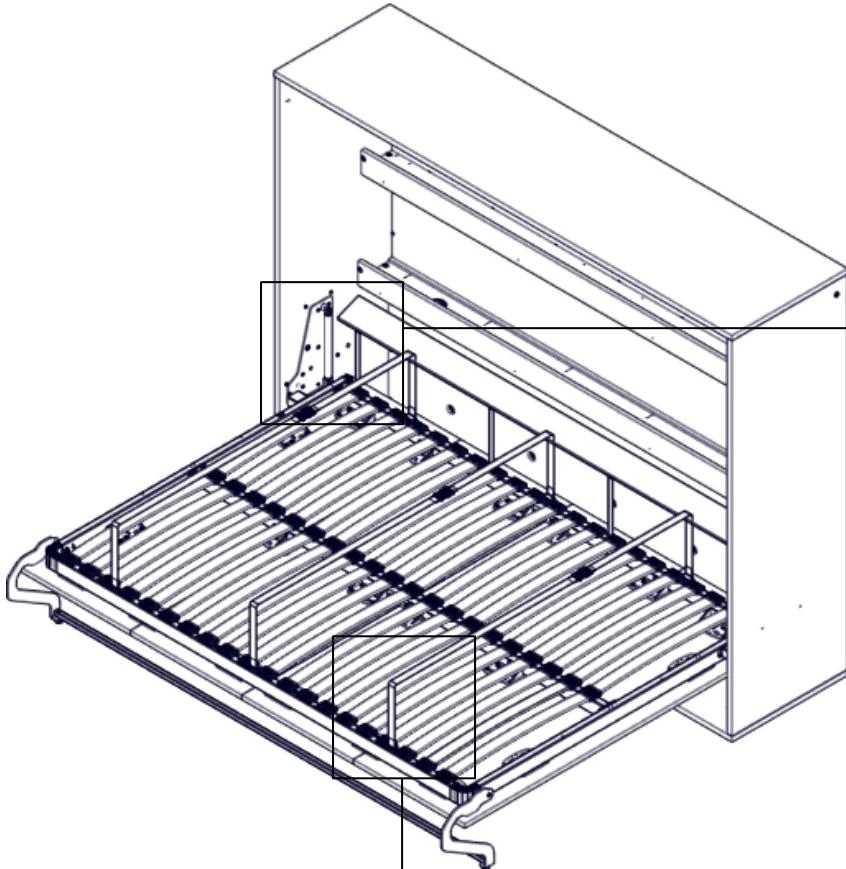
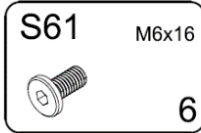
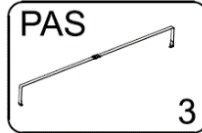
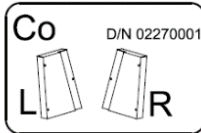
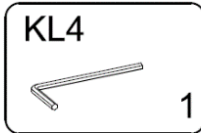
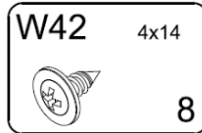
# 31



# 32







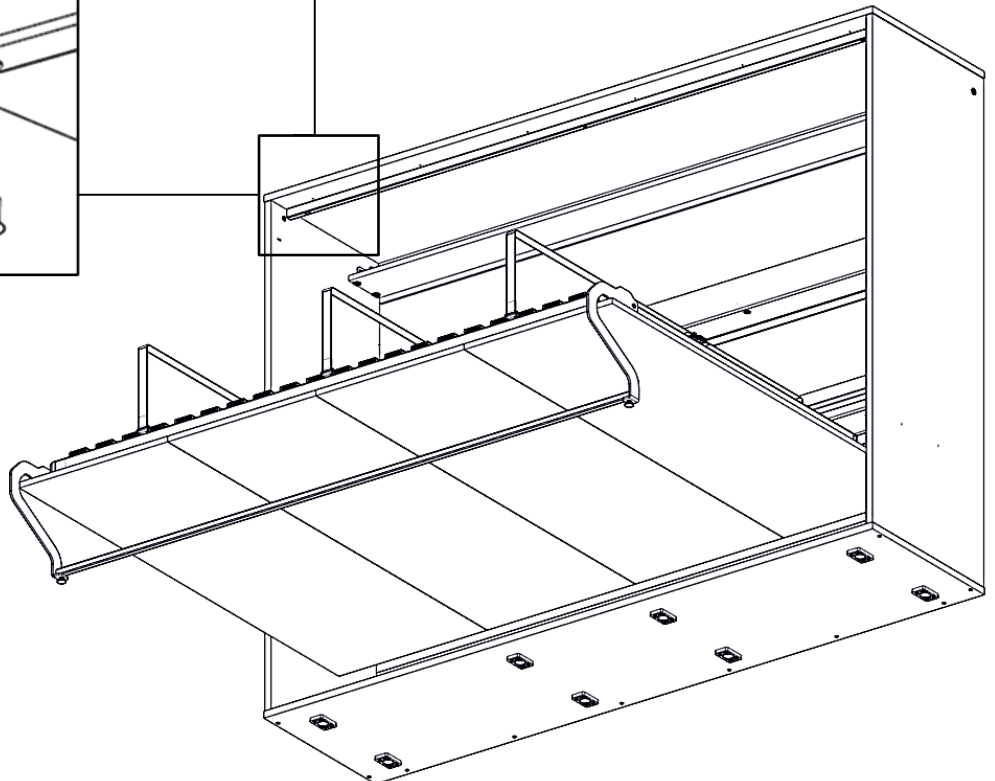
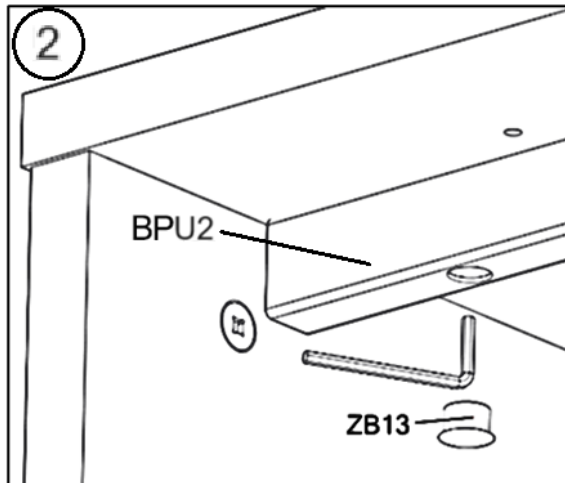
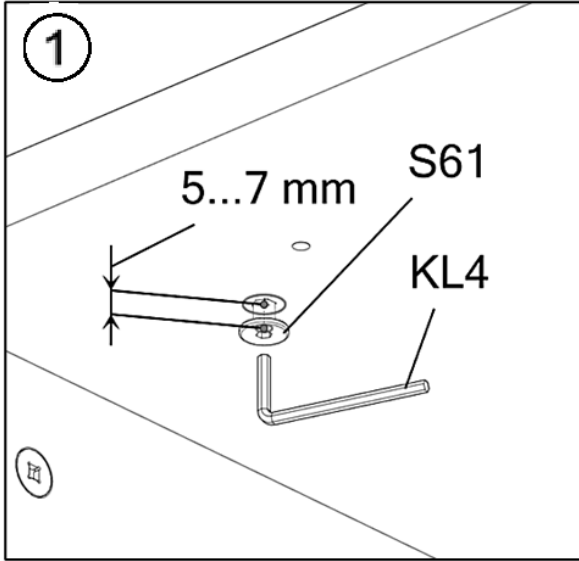
# 33



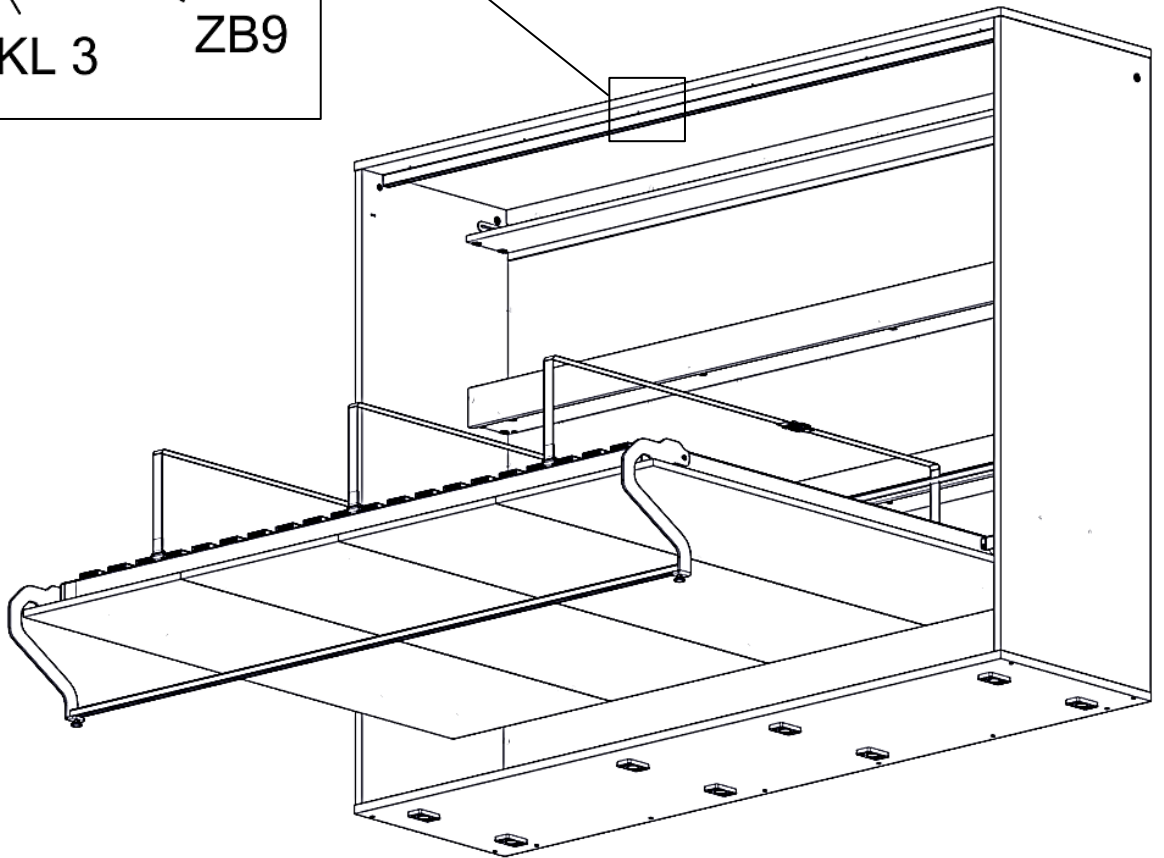
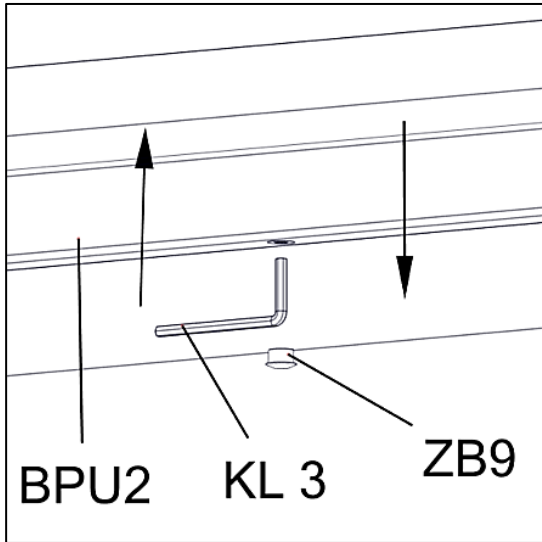
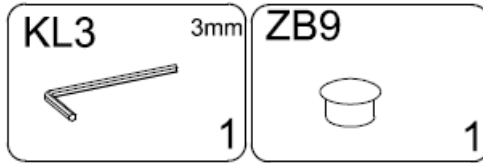
# 34



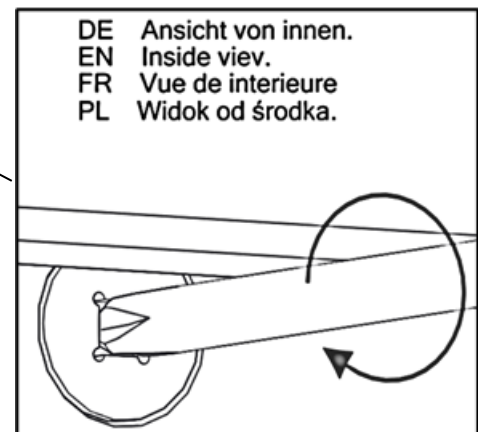
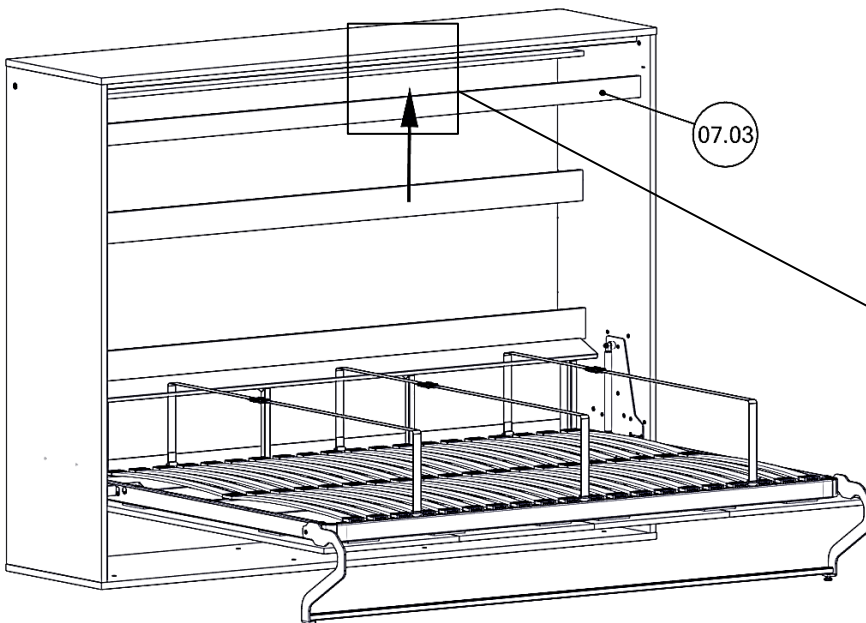
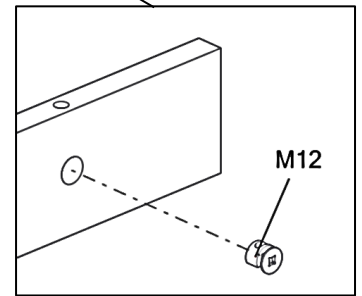
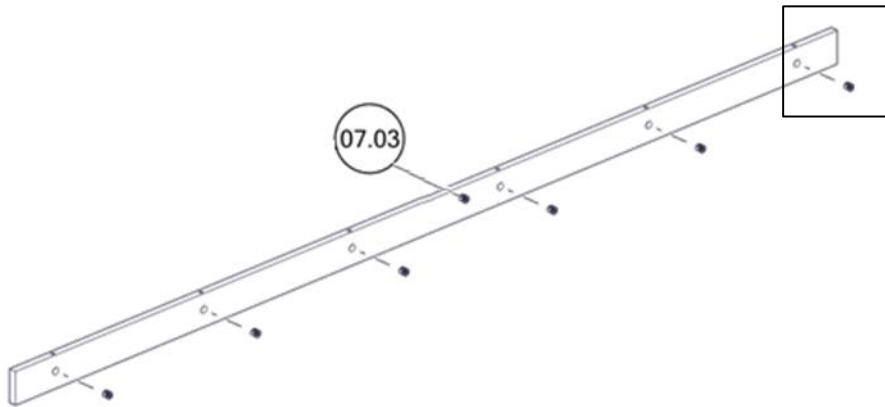
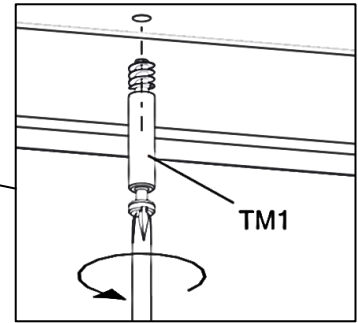
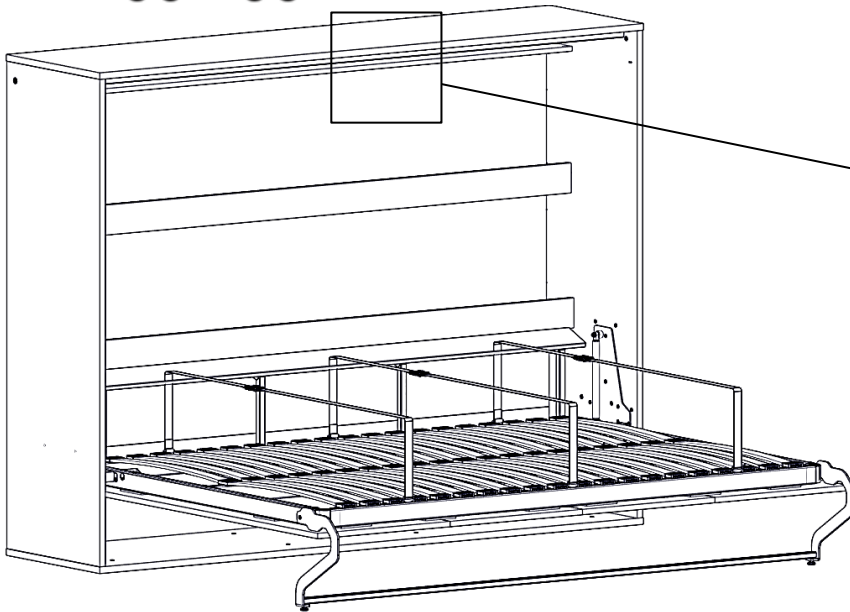
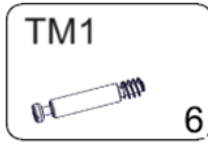
S61  2	M6x16	ZB13  2
KL4  1	4mm	BPU2  1



# 35

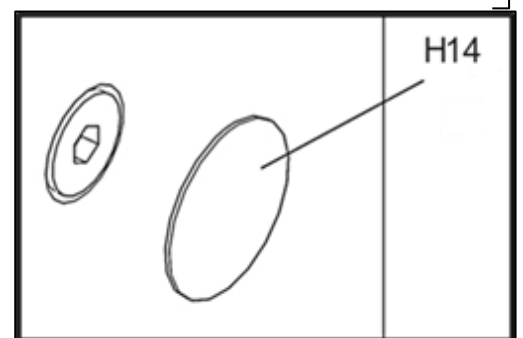
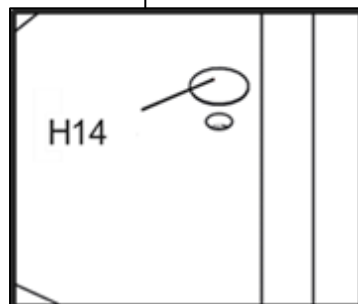
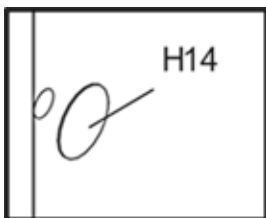
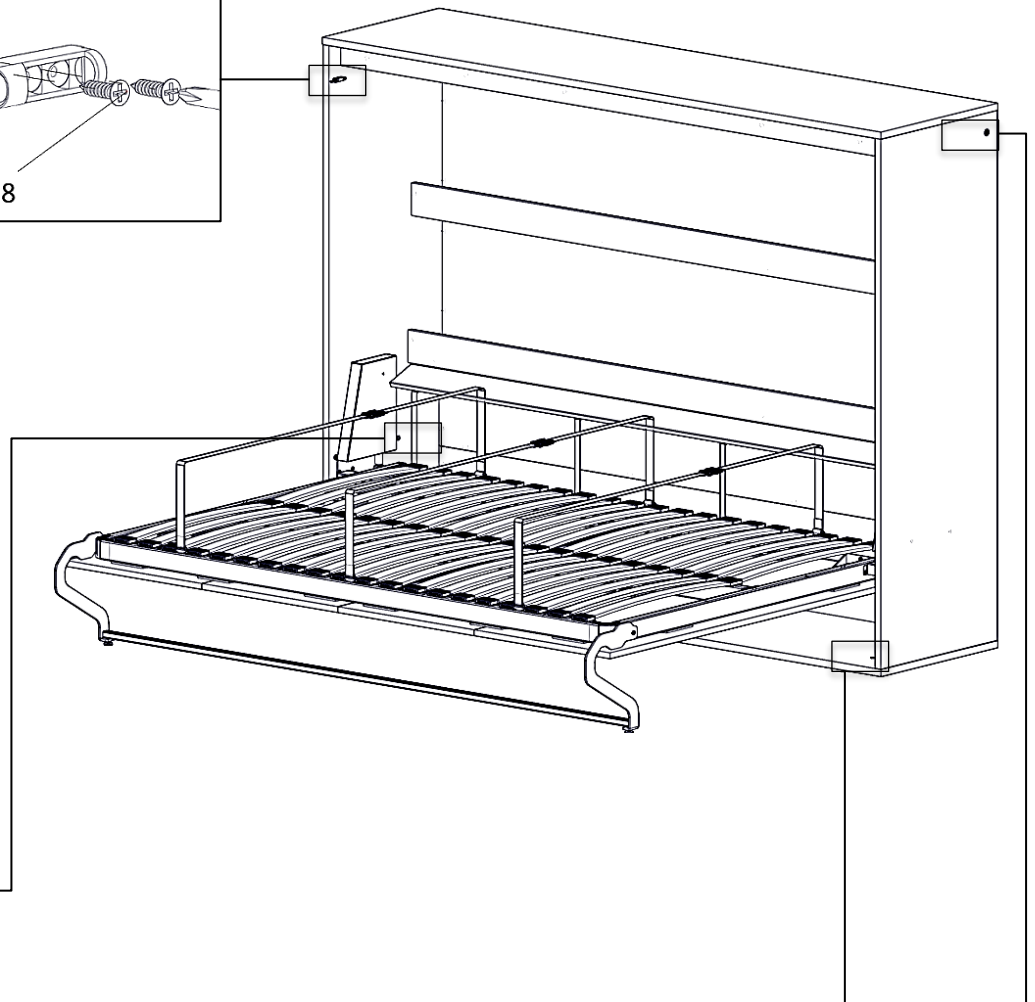
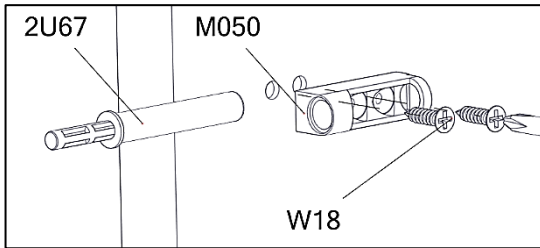
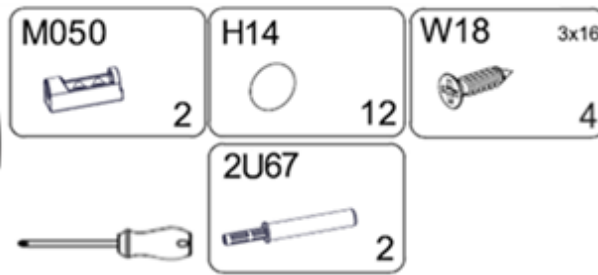


# 36



DE Ansicht von innen.  
EN Inside view.  
FR Vue de intérieure  
PL Widok od środka.

# 37



# 38

